

somat[®]

ecoShred Compostable Waste Shredder



Description

The ecoShred is an automated on-site system that efficiently cuts and grinds food waste and disposable waste and discharges the solids to a trash bin. The system is designed for use in medium size food service facilities. It can process 1,200 lbs. of input load of food waste and disposables per hour.

This system only requires electrical connection, fresh water connection and drain line. The controls are integrated into the system, no wall mounting of controls is needed. This system is ideal as a pre treatment of food waste and disposables prior to conventional composting. Use in conjunction with the Somat eCorect[®], for a complete on-site solution to your food waste problems.

Benefits:

- As much as 8 to 1 (87%) volume reduction
- lowered labor cost
- Very little water used (for clean-up cycle only)
- Consumes 40% less energy than standard pulper
- Ideal as pre-treatment or used in conjunction with eCorect[®] to provide a high quality soil amendment

Operation: An automated on-site compostable waste shredder using an energy-efficient and automated control process. The system requires very little water for clean-up cycle only, no water is consumed during process. Capable of processing up to 1200 lbs. per hour.

Item No: _____

SOMAT Model: ES 1200

Technical Specifications

Compostable Waste Shredder: With the exception of a powder coated vertical auger, all components are shrouded in 300 series stainless steel. The utility requirements will be electrical, fresh water connection and floor sink for drain. Electrical controls are integrated into the shredder cabinet (no wall mounted control panel). It is capable of processing up to 1200 lbs. per hour. The end product is a shredded, dewatered waste mix, ideal for composting (as long as compostable products are introduced into the system).

Electrical Characteristics: 3 Phase, 30 Amp / AC 208V 60Hz

Input Capacity: 1200 lbs / hr

Finish: All exterior surfaces are polished stainless steel.

Equipment only is supplied by SOMAT Company; installation and wiring not included.

EcoShred Specifications ►



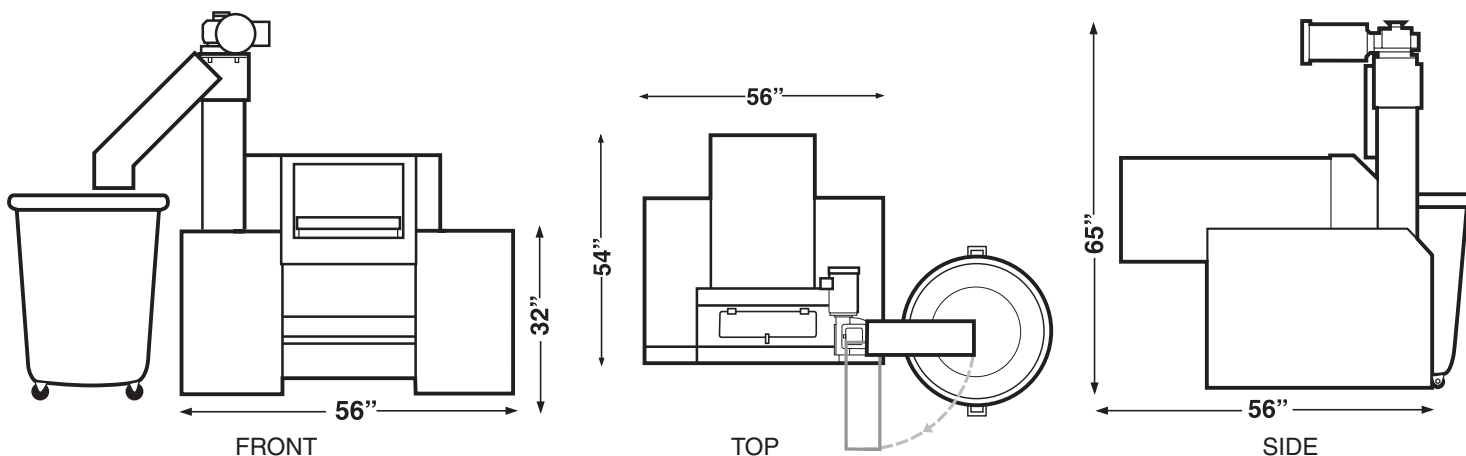
Somat Company
Division of ITW Food Equipment Group LLC
165 Independence Court
Lancaster, PA 17601 USA
Tel: 717-397-5100 Fax: 717-291-0877
1-800-237-6628
www.somatcompany.com

somat[®]

ecoShred Compostable Waste Shredder

Item No: _____

SOMAT Model: ES 1200



EcoShred Specifications

Processing method	Food waste shredder, designed for self bussing applications
Design type	Stand Alone, Portable Design, ADA compliant 32" conveyor feed
Input capacity (lbs)	1200lb/hr
Average reduction rate	8:1
Power (Electricity)	3 Phase, 30 Amp / AC 208V 60Hz
Power consumption	6.7 kw
Dimension (W*D*H in.)	56" X 54" X 40" / Discharge chute height is 36"
Shipping Dimension (Weight)	62" X 60" X 71" (1,400 lbs.)
Material	Shrouded in 300 stainless steel, powder coated vertical auger
Safety feature	Shredder inspection door and discharge chute safety switches, e-stop at conveyor inlet
Automated control	Integrated push button station and control panel
Installation	30 Amp Receptacle and 2" Drain Line, Fresh Water Connection 10Gpm
Treatable items	Compostable Disposables, Styrofoam, Cardboard, Food Waste
Warranty	1 year manufacturer's standard warranty

* Specification is subject to change without notice.



Somat Company
Division of ITW Food Equipment Group LLC

165 Independence Court
Lancaster, PA 17601 USA
Tel: 717-397-5100 Fax: 717-291-0877
1-800-237-6628
www.somatcompany.com