



## SPC-75S PULPER

### DESCRIPTION

#### GENERAL - The SOMAT® Pulper:

The main body of the Pulper is composed of the shell weldment and the slurry chamber, Figure 1 (A). A drive motor (B) is mounted to the underside of the slurry chamber weldment. The drive shaft is fitted with a mechanical seal (C) that prevents slurry liquid from leaking into the drive motor. Above the mechanical seal an impeller assembly (D) is keyed to the drive shaft. The impeller is surrounded by a perforated stainless steel sizing ring (E). This ring controls the particle size of the solids entering the slurry chamber. A stainless steel junk box (F) is located inside the Pulper shell. The entire Pulper assembly is supported by stainless steel legs (G) with threaded adjustable feet.

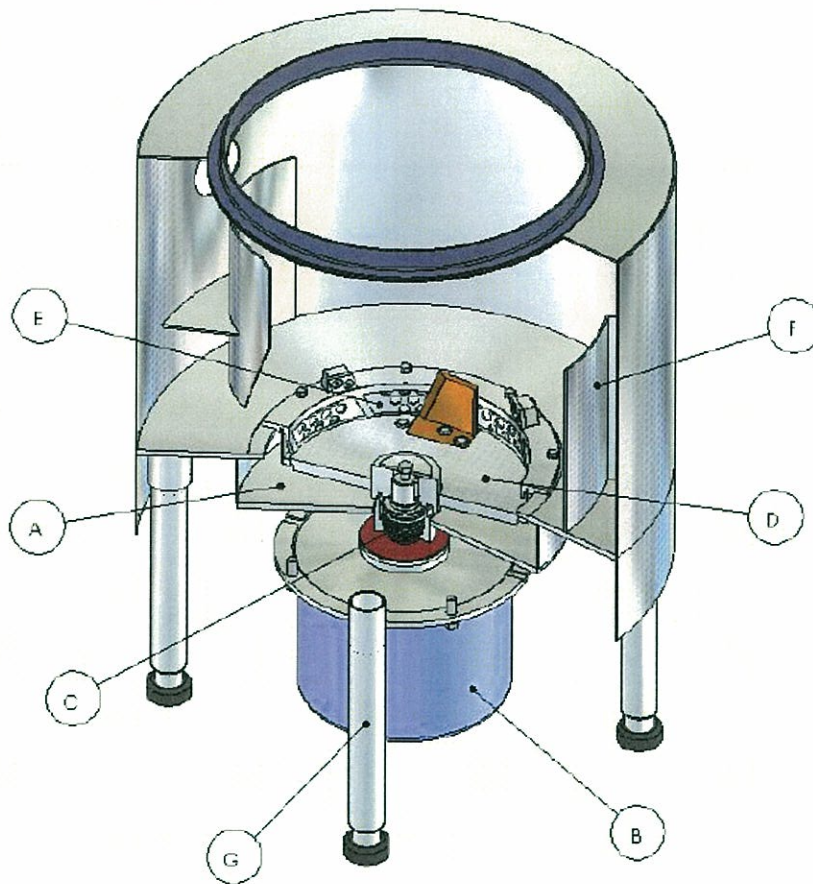


FIGURE 1. TYPICAL PULPER GENERAL ARRANGEMENT