



KW DIRECT DRIVE PUMP

DESCRIPTION

GENERAL - The K/W Pump is a direct drive, end suction centrifugal pump. The pump is driven by a C-face electric motor; see Figure 1 (A) which also acts as the pump base. The pump housing (B) mounts on a spacer ring (C) which in turn is mounted to the face of the motor and becomes an integral part of the motor frame. An open type impeller (D) is used to minimize clogging. The pump housing is provided with a mechanical seal (E) to prevent leakage from the pump housing into the motor frame.

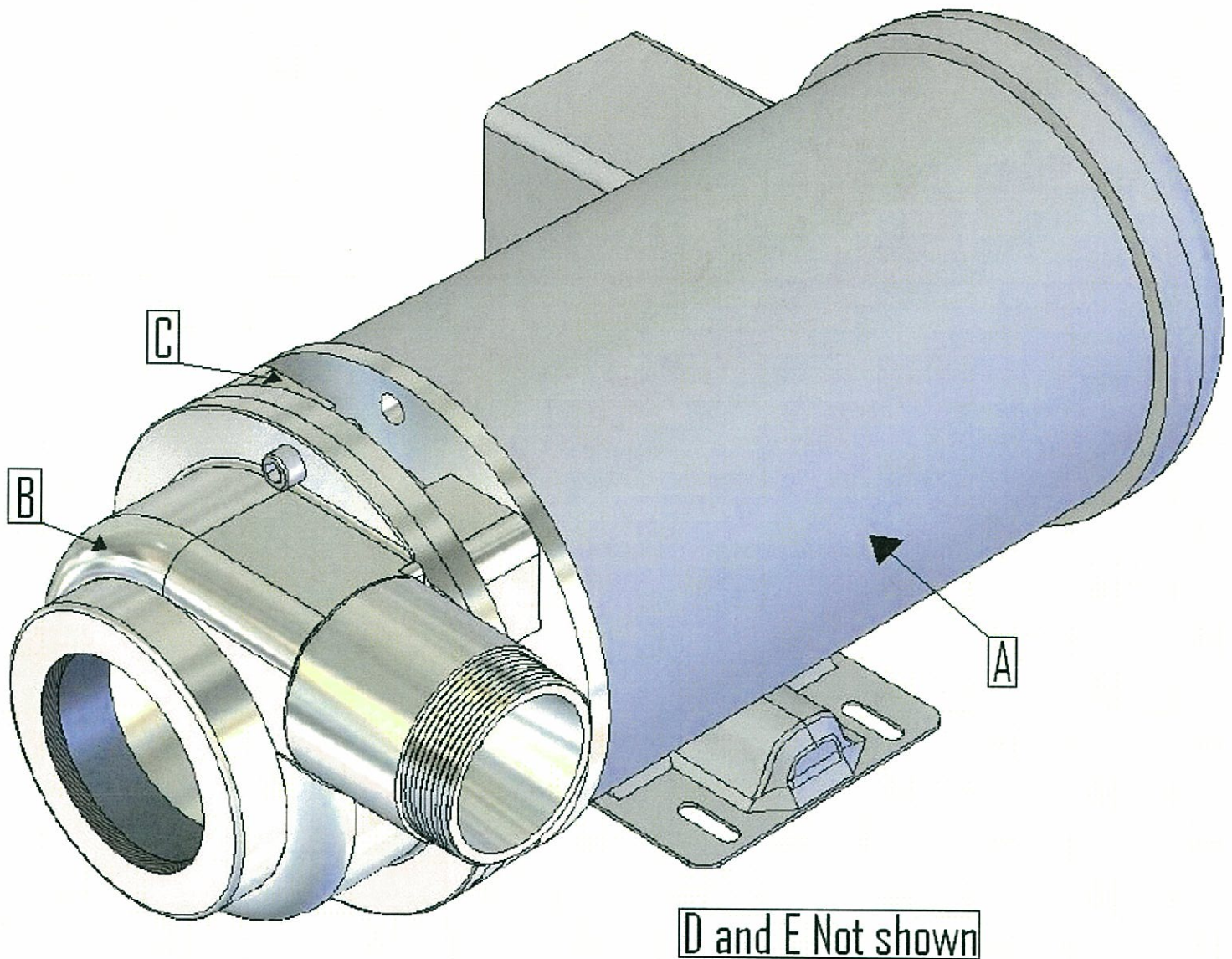


Figure 1. K/W Pump - General Arrangement