



SPC-50S WASTE REDUCTION SYSTEM



The **Somat SPC-50S** Waste Reduction System processes up to 900 lbs. of food service waste per hour providing an economic and efficient answer to cutting the high and ever increasing costs associated with waste handling. Somat Pulping Systems are engineered to reduce foodservice waste volume by an 8 to 1 reduction (up to 85%.) Compostable waste enters the pulping tank via the feed tray or scrapping trough where it mixes with water and is ground into a slurry. The slurry is fed to the Hydra-Extractor® for de-watering and the result is a semi-dry pulp discharged into a haul-away container or a Somat Dehydrator for additional reduction. The extracted water is recovered and returned to the pulping tank for re-use by the tray or trough.

VOLTAGE OPTIONS

- 208/60/3
- 230/60/3
- 460/60/3
- International options available, consult factory

STANDARD FEATURES

- Hinged lid pulper with limit switch
- Hydra-Extractor
- 3 HP recirculating pump
- Valve package
- Chemical additive pump
- Som-A-Trol control panel

TECHNICAL SPECIFICATIONS

Pulper:

- 23" diameter, 39" high max (legs fully extended)
- Polished stainless steel tank
- Hinged lid with limit switch
- 3/8" stainless slurry chamber
- 5 HP TEFC direct drive motor
- Internal collection box
- "Hypoint" style cutting mechanism, featuring:
 - Stainless steel impeller
 - Two hardened corrosion resistant alloy rotating blades
 - Three carbide stationary blades

Hydra-Extractor

- Welded stainless steel construction
- Stainless steel adjustable legs
- 2 HP TEFC drive motor
- 20:1 gear reducer
- 3HP TEFC recirculating pump
- Chemical pump
- 6" stainless steel auger with nylon brush edge
- Reinforced stainless steel screens
- Automatic shutdown timer
- Automatic rinse system
- Discharge chute with safety switch

Valve Package:

- All valves required for operation including fresh water, return and drain lines.

Som-A-Trol Electrical Control Panel:

- UL approved stainless steel NEMA 4 panel with all components pre-wired to internal terminal strip. Push Button control station on panel door (remote control station optional). Panel to be wall mounted with field connection to pulper mounted junction box.

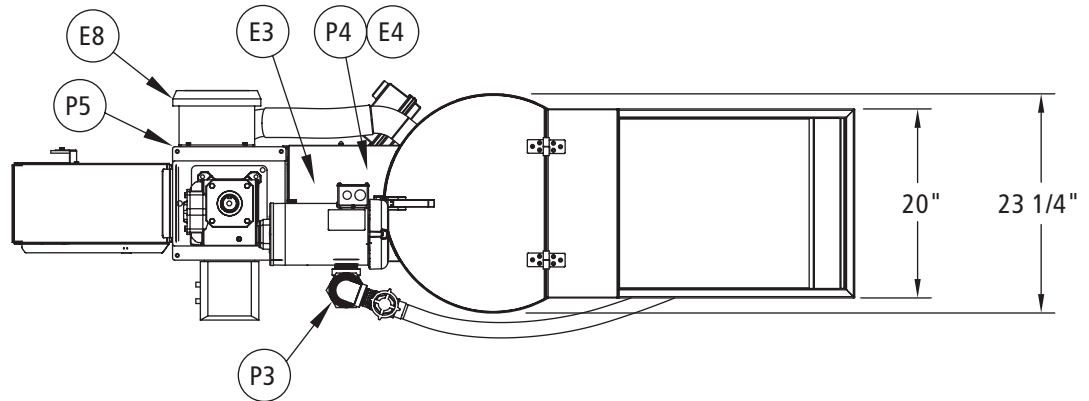
OPTIONS

- Water flushed feed tray
- Trough feed connection
- Feed tray cover
- Prison package
- Under dish table unit
- Vibration pads
- Remote push button station
- Grabber magnets

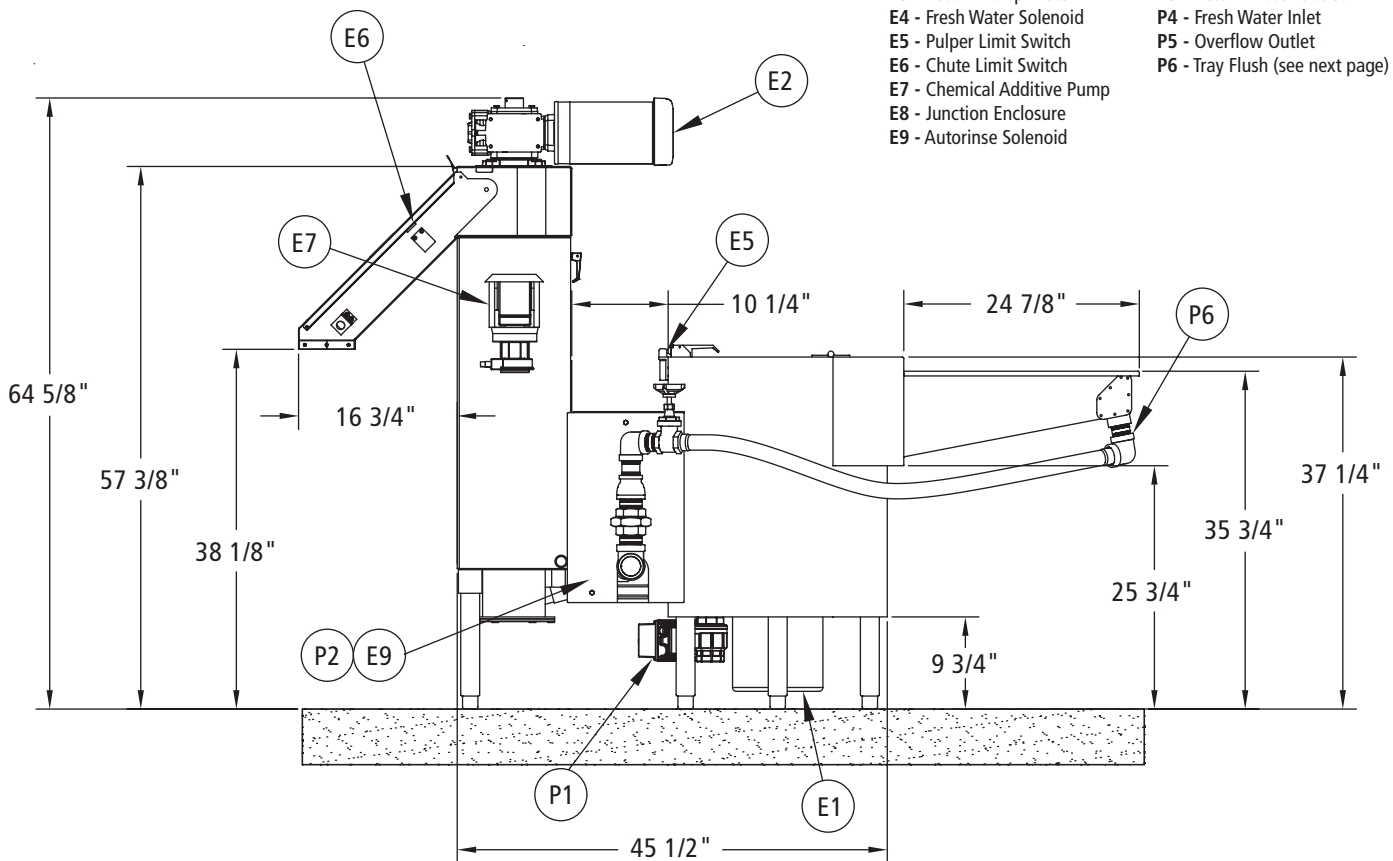
The Power to Transform WASTEFUL to SUSTAINABLE

SPC-50S

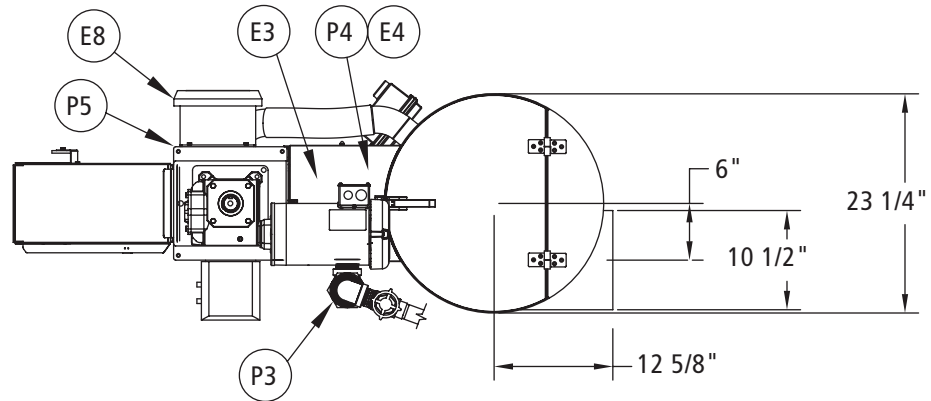
HIGH TANK WITH TRAY FEED



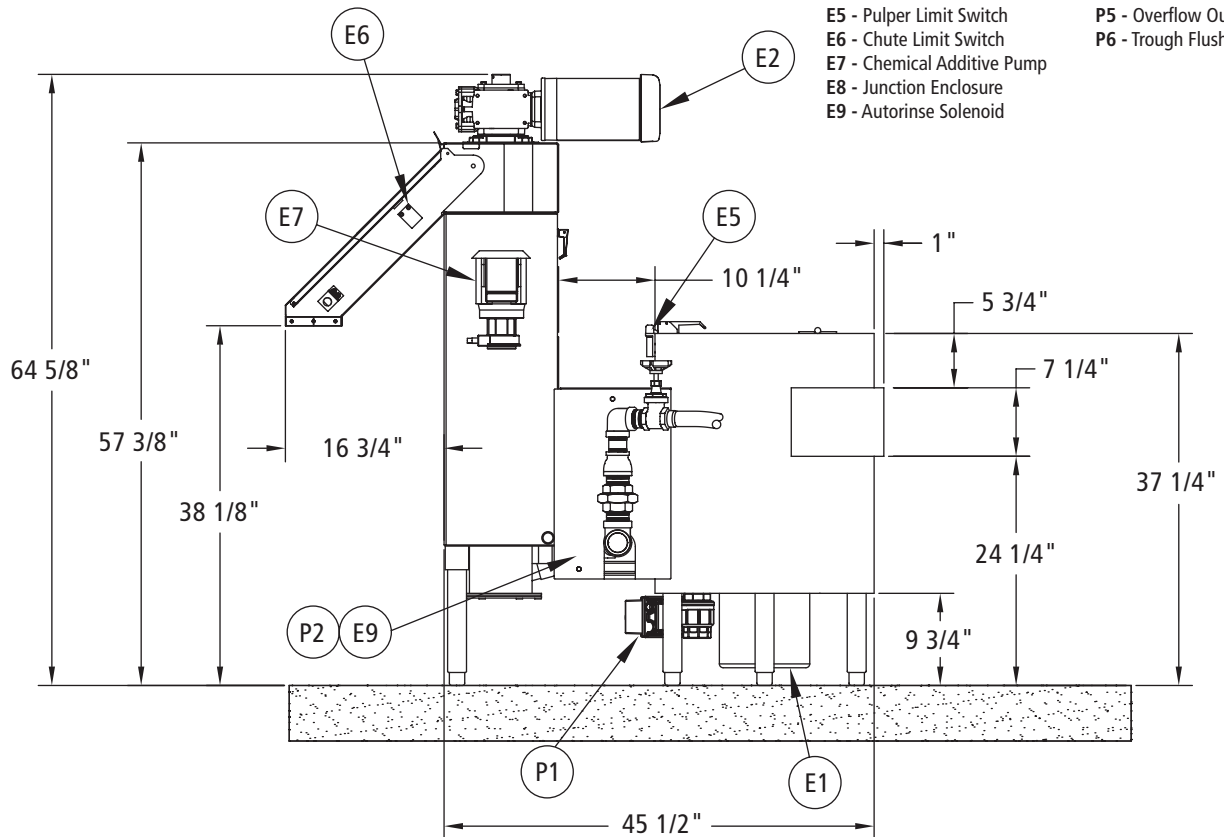
- E1 - Pulper Drive Motor
- E2 - Extractor Drive Motor
- E3 - Return Pump Motor
- E4 - Fresh Water Solenoid
- E5 - Pulper Limit Switch
- E6 - Chute Limit Switch
- E7 - Chemical Additive Pump
- E8 - Junction Enclosure
- E9 - Autorinse Solenoid
- P1 - Drain Valve Outlet (MOV)
- P2 - Auto-rinse Inlet
- P3 - Return Water Outlet
- P4 - Fresh Water Inlet
- P5 - Overflow Outlet
- P6 - Tray Flush (see next page)



SPECIFICATIONS							
Total Height	Tank Height	Length	Width	Equipment Weight	Operating Weight	Crated Weight	Crated Volume
65" (1,651 mm)	37.25" (946 mm)	87.125" (2,213 mm)	23.25" (591 mm)	725 lbs. (329 kg)	890 lbs. (404 kg)	1,000 lbs. (454 kg)	167 cu. ft.



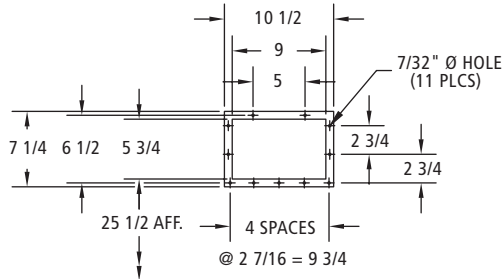
- E1 - Pulper Drive Motor
- E2 - Extractor Drive Motor
- E3 - Return Pump Motor
- E4 - Fresh Water Solenoid
- E5 - Pulper Limit Switch
- E6 - Chute Limit Switch
- E7 - Chemical Additive Pump
- E8 - Junction Enclosure
- E9 - Autorinse Solenoid
- P1 - Drain Valve Outlet (MOV)
- P2 - Auto-rinse Inlet
- P3 - Return Water Outlet
- P4 - Fresh Water Inlet
- P5 - Overflow Outlet
- P6 - Trough Flush (see page 4)



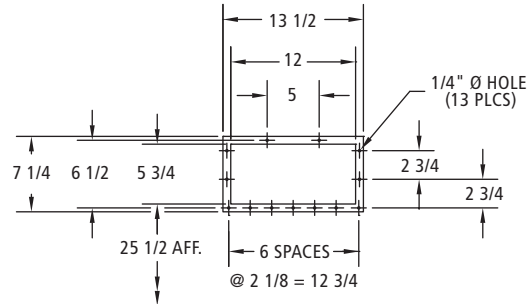
SPECIFICATIONS							
Total Height	Tank Height	Length	Width	Equipment Weight	Operating Weight	Crated Weight	Crated Volume
65" (1,651 mm)	37.25" (946 mm)	63.25" (1,607 mm)	23.25" (591 mm)	725 lbs. (329 kg)	890 lbs. (404 kg)	1,000 lbs. (454 kg)	167 cu. ft.

SPC-50S

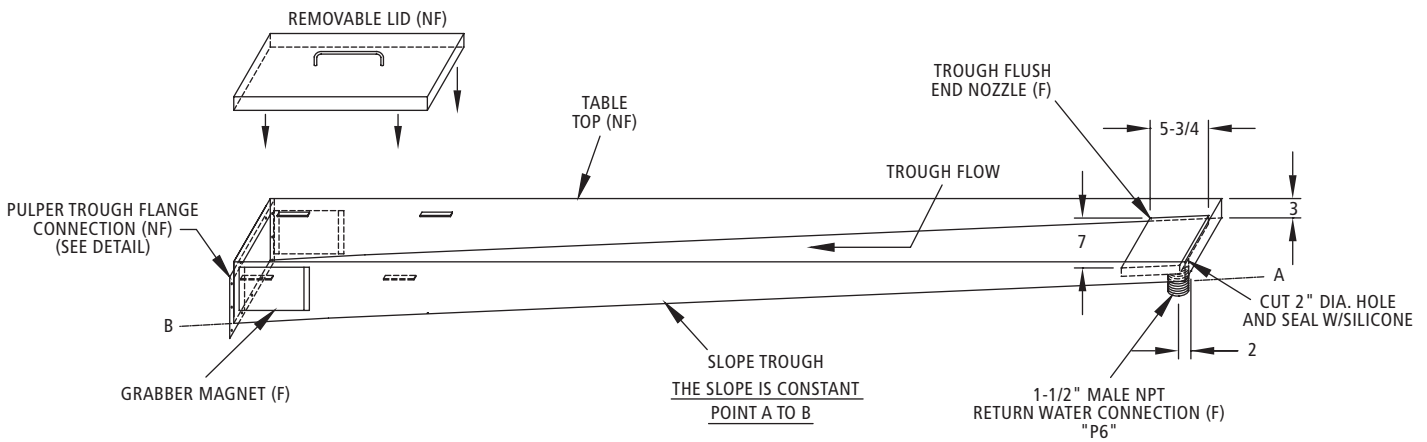
WASTE REDUCTION SYSTEM



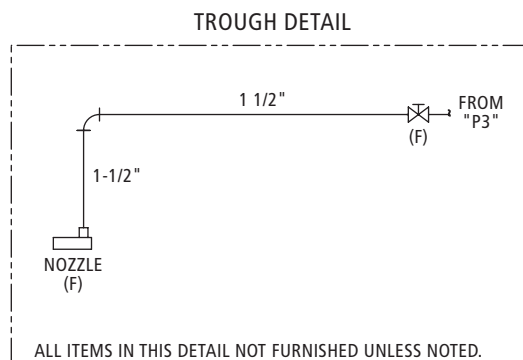
9" TROUGH FLANGE DETAIL

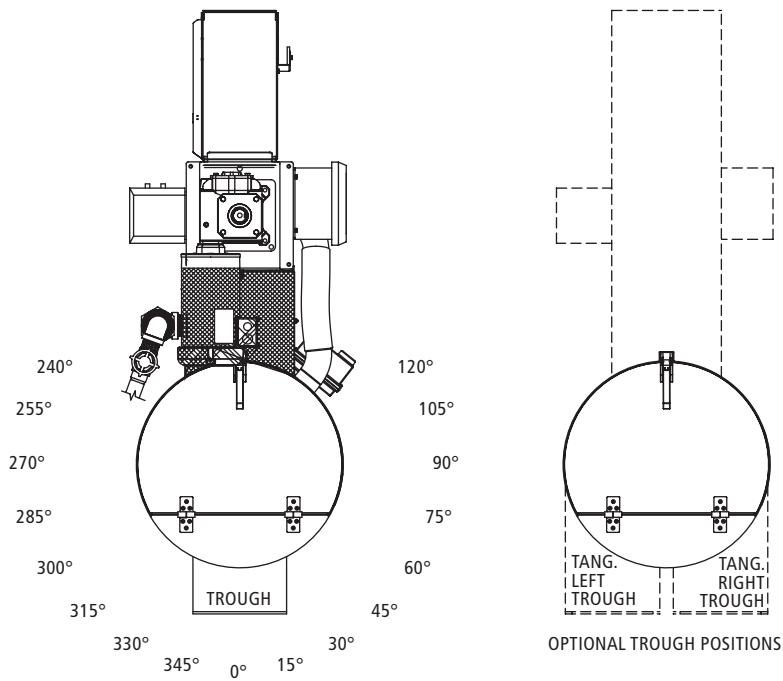


12" TROUGH FLANGE DETAIL



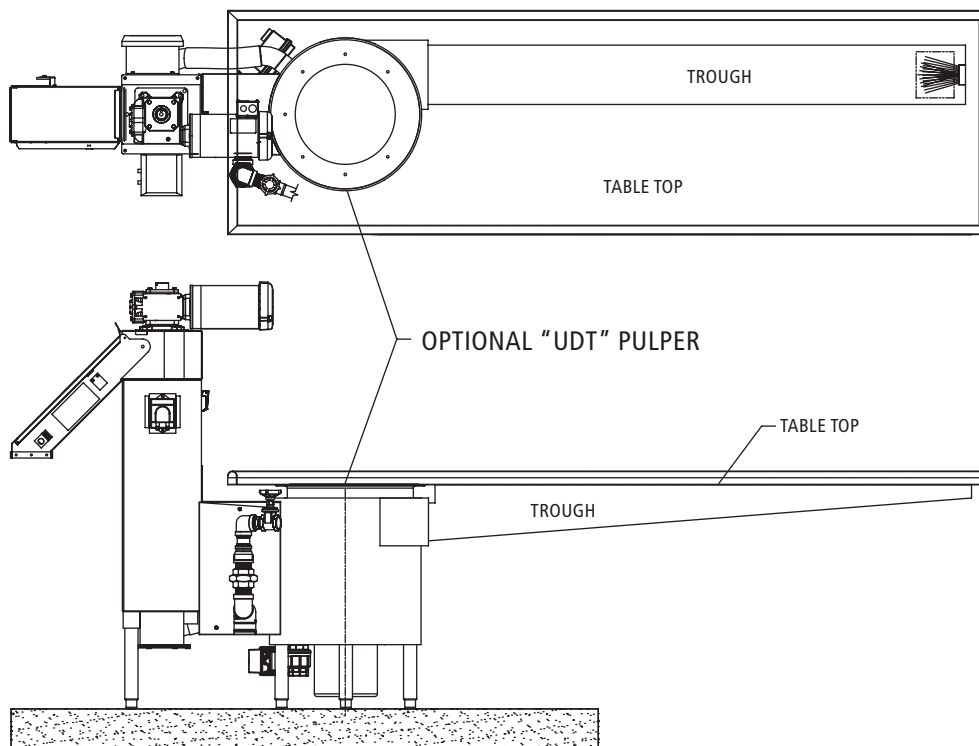
PULPER TROUGH DETAIL





TROUGH LOCATION SHOWN AT 0 DEGREES, CENTER POSITION

TROUGH CAN BE ROTATED ON THE CENTER POINT OF THE TANK BY 15 DEGREE INCREMENTS, ACTUAL ENTRY POINTS TO THE TANK WILL DEPEND ON TROUGH ORIENTATION, LEFT, RIGHT OR CENTER POSITION, TROUGH CAN NOT COME IN CONTACT WITH EXTRACTOR AREA (SHADED PORTION).



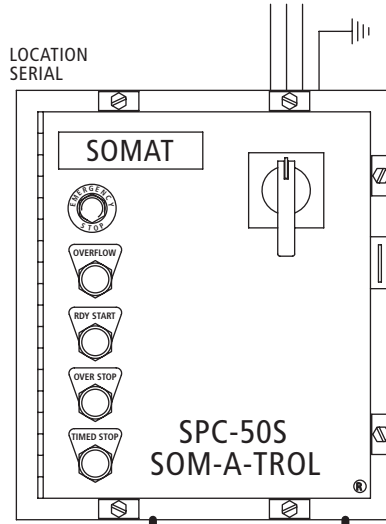
SPC-50S

WASTE REDUCTION SYSTEM



CUSTOMER POWER SUPPLY
(BY ELECTRICAL CONTRACTOR)
208V-3Ø-60Hz-35AMPS

460V-3Ø-60Hz-20AMPS



- EMERGENCY STOP
- CHUTE OVERFLOW
- START BUTTON/LIGHT
- STOP BUTTON/LIGHT
- TIMED STOP BUTTON

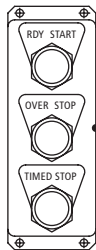
(16) CONDUCTORS FOR REMOTE PUSH BUTTON AND MACHINE CONTROLS, 18AWG OR BETTER (BY ELECTRICAL CONTRACTOR)

CONDUCTORS FOR MACHINE MOTORS, INCLUDES GROUND (8) WIRES INCL. GRD., 14AWG (BY ELECTRICAL CONTRACTOR)

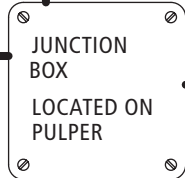
CONDUIT OR CABLING REQUIRED TO HOUSE/PROTECT CONTROL/MOTOR WIRING ACCORDING TO JOBSITE REQUIREMENTS (BY ELECTRICAL CONTRACTOR)

OPTIONAL REMOTED PUSH BUTTON STATION

- START BUTTON/LIGHT
- STOP BUTTON/LIGHT
- TIMED STOP BUTTON



CONDUIT OR CABLING REQUIRED TO HOUSE/PROTECT PUSH BUTTON WIRING ACCORDING TO JOBSITE REQUIREMENTS (BY ELECTRICAL CONTRACTOR)



OTHER UTILITY REQUIREMENTS

Fresh Water	18 gpm @ 30 psig, 1/2" NPT (approximate usage 60 – 120 gph)
Drain	3" minimum floor sink, 4" recommended (with stainless steel removable basket recommended)