



RAC1 & RAC2 SERIES

AUTOMATIC REVERSING MAGNETIC CONTROLS



RAC 2



RAC 1

INCLUDES:

- PF: Positive flush.
- EM: The *Eco-Mizer™* Electricity and Water Saver.

APPLICATION:

- Provides automatic reversing of motor (the motor runs in the opposite direction each time it is started) which doubles the life of the shattering mechanism.

DESIGN AND CONSTRUCTION:

- High strength compression molded glass fiber reinforced polyester, NEMA4X (watertight, corrosion resistant) enclosure. Reversing magnetic contactors with built-in automatic reset overload relays to protect against low voltage, overloads and phase failure. Clearly marked terminal strip for easy connection of incoming power, solenoid valve and remote switch.

DESIGN FEATURES:

- Encapsulated solid state control circuit board with self-diagnostic circuitry and indicator lights. Front mounted, heavy duty Start and Stop pushbuttons. RAC2 Series features illuminated pushbuttons to indicate mode of operation, built-in clean out cycle (2 minute time delay for flushing of disposer and waste lines) and disconnect switch with heavy duty front mounted “pistol grip” handle with provision for lockout. Antiplug relay to prevent motor reversing while running or coasting.
- The *Eco-Mizer™* Electricity and Water Saver conserves water and electricity usage by limiting disposer run time to a preset interval. Specify 5 to 15 minutes.

WARRANTY:

- One full year from date of purchase by end user, covering defects in material or workmanship; parts and labor included.

OPTIONAL:

- RS: Remote Start/Stop switch.

| RAC1 & RAC2 AUTOMATIC REVERSING MAGNETIC CONTROLS | | | | | | |
|---|--------------------------|---------------------------------|-----------------|---------|-------|----|
| Model No. RAC1 Series | Model No. RAC2 Series | HP Range | Voltages | | | PH |
| | | | L | H | Hertz | |
| RAC1-KP | RAC2-KP | 1/2, 3/4, 1 1/4, 1 1/2, 2, 3, 5 | 200-240/440-480 | | 50/60 | 3 |
| RAC1-BE | RAC2-BE | 1/2, 3/4, 1 1/4, 1 1/2, 2, 3, 5 | 380-415 | | 50 | 3 |
| RAC1-SL | RAC2-SL | 1/2, 3/4, 1 1/4, 1 1/2, 2 | 110-120 | | 50/60 | 1 |
| RAC1-SH | RAC2-SH | 1/2, 3/4, 1 1/4, 1 1/2, 2 | 200-240 | | 50/60 | 1 |
| RAC1-7* | RAC2-7* | 7 | 200-240 | 440-480 | 60 | 3 |
| RAC1-10* | RAC2-10* | 10 | 200-240 | 440-480 | 60 | 3 |

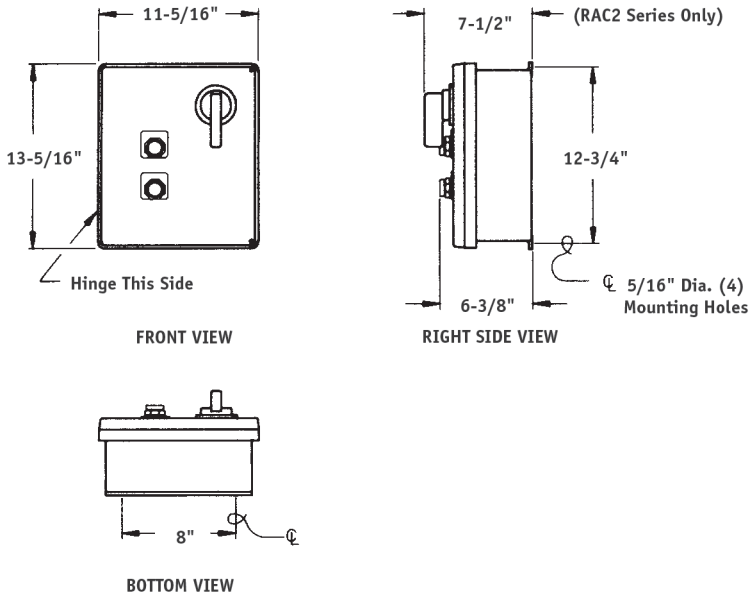
*Indicate voltage by adding L or H to the end of model number.

RAC1 & RAC2 SERIES

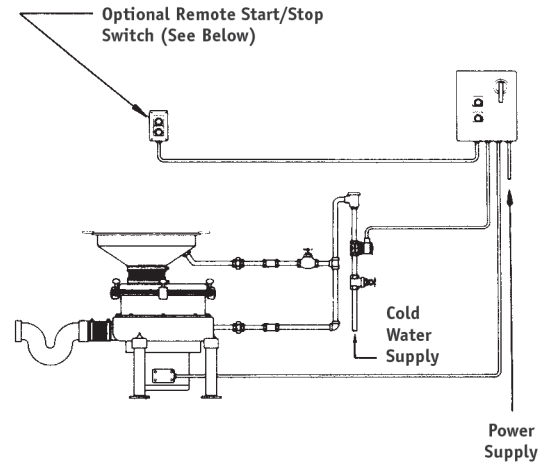
AUTOMATIC REVERSING MAGNETIC CONTROLS



DIMENSIONS:



TYPICAL INSTALLATION:



SHIPPING DIMENSIONS AND WEIGHTS:

| Model No. | WIDTH | | DEPTH | | HEIGHT | | WEIGHT | | VOLUME | |
|-----------|-------|-----|-------|-----|--------|-----|--------|----|---------|-------|
| | in. | mm. | in. | mm | in. | mm | lbs. | kg | cu. ft. | cu. m |
| RAC1 | 12 | 305 | 14 | 356 | 11 | 279 | 25 | 11 | 1.1 | .03 |
| RAC2 | 12 | 305 | 14 | 356 | 11 | 279 | 28 | 13 | 1.1 | .03 |

Construction: Shall be NEMA4X watertight, corrosion resistant, molded glass fiber reinforced polyester enclosure. Reversing magnetic contactors with overload relay to protect against low voltage, motor overload and phase failure. Front mounted heavy duty illuminated pushbuttons. Built-in front-mounted disconnect switch with heavy duty pistol grip handle with provision for lockout. Encapsulated (moisture resistant) solid state low voltage control circuit with self-diagnostic indicator lights. Antiplug relay to prevent motor reversing while running or coasting. Clean out cycle 2 minute time delay. Shall include the **Eco-Mizer™** Electricity and Water Saver preset at factory to customer requirements, 5 to 15 minutes, at no additional cost.

Approvals and Warranty: Shall be UL (Underwriters Laboratories, Inc.) listed. Warranty shall cover parts, labor and mileage on all components for one year.

OPTIONS: (Additional Cost)

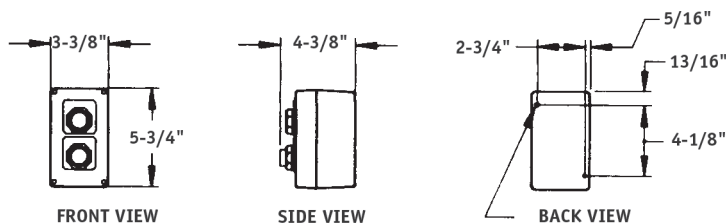


MODEL RS: REMOTE START/STOP SWITCH

Allows control panel to be located a distance away while Start/Stop switch can be mounted near disposer. NEMA4X enclosure.

MODEL PF: POSITIVE FLUSH

Leaves water running for flushing of waste chamber and drainline for two minutes after motor stops.



In line with its policy to continually improve its products, Master Disposers reserves the right to change materials and specifications without notice.