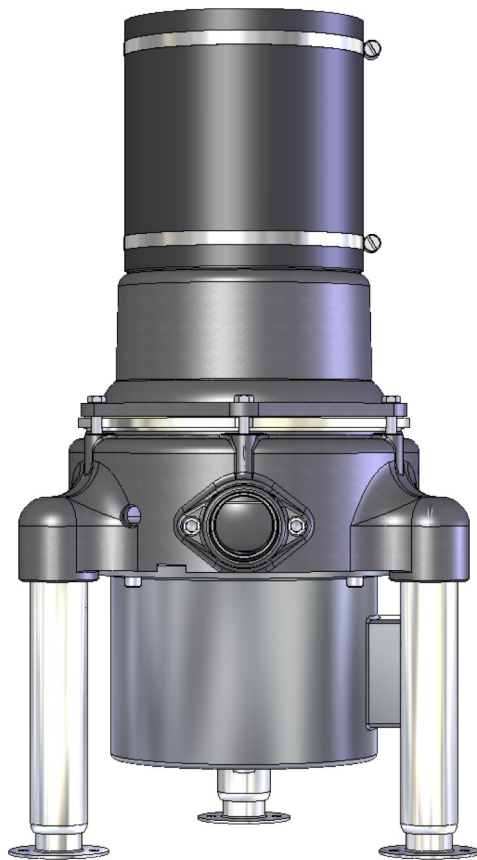




Installation · Operation · Maintenance



MANUAL FOR UNITS WITH SERIAL NUMBERS MD-5999 AND BELOW

Master Disposers
Somat Company
165 Independence Ct.
Lancaster, PA 17601
800-237-5100 · 717-397-5100 · FAX 717-299-4131
www.masterdisposers.com

ORDERING INSTRUCTIONS

Contact æFactory-authorized Parts Distributor for all parts orders or contact us directly for the name and phone number of the parts distributor nearest you:

Website: www.masterdisposers.com

Call Toll Free: 800-237-6628 'I %&'

FAX: 717-8- - !(% %



OPERATING & PREVENTIVE MAINTENANCE INSTRUCTIONS

FOR MINIMUM-MAINTENANCE DISPOSER OPERATION, ALL ASSIGNED OPERATORS SHOULD READ, AND CAREFULLY FOLLOW INSTRUCTIONS

- 1 START THE MACHINE BEFORE FEEDING ANY WASTE, SO MOTOR AND WATER ARE RUNNING. DO NOT LOAD CHAMBER BEFOREHAND.
- 2 FEED DISPOSER EVENLY BY GRAVITY. DO NOT PACK WASTE IN CHAMBER AS DISINTEGRATION REQUIRES MIXING WITH WATER.
- 3 AFTER EACH FEEDING, MOTOR AND WATER MUST RUN AT LEAST 2 MINUTES TO ASSURE FLUSHING OF MACHINE AND DRAINLINE.
IF CONTROL HAS A TIMER, FLUSHING IS AUTOMATIC. MACHINE RUNS A 2 MINUTE CYCLE ONCE SHUT-DOWN IS INITIATED.
IF WASTE IS ADDED DURING THE FLUSHING CYCLE, RE-START THE DISPOSER TO ASSURE A FULL 2 MINUTE FLUSH PERIOD.
- 4 **CAUTION!** CONTROL THE MACHINE WITH THE **START-STOP ONLY!** ANY DISCONNECT SWITCH INCLUDED IN THE CONTROL SYSTEM IS FOR EMERGENCY OR SHUT-DOWN USE, AND THE DISCONNECT HANDLE **MUST NOT BE USED FOR OPERATION OF THE DISPOSER.**
- 5 TO HELP PREVENT DRAINLINE PROBLEMS, DO NOT INTENTIONALLY FEED RAW GREASE, OR ANY NON-FOOD WASTE SUCH AS: METAL/CLOTH/WOOD/ PLASTIC/ OR POLY-COATED MILK CARTONS.
A PERIODIC CLEAN-OUT OF FOREIGN OBJECTS IS ADVISABLE. WITH MOTOR DEAD, AND DISCONNECT "OFF", REMOVE RESIDUE.
MIX FIBROUS WASTE (BANANA SKIN/CELERY ETC.) WITH OTHER FOOD-WASTE. CORN HUSK MUST NOT BE FED TO ANY DISPOSER, AS DRAINLINE STOPPAGE WILL ALMOST CERTAINLY RESULT.
- 6 IF A MASTER DISPOSER SHOULD LOCK, WITH A SOLID OBJECT JAMMING THE ROTOR, THROW THE DISCONNECT. THEN APPLY A LARGE WRENCH TO SHAFT-EXTENSION FLATS BELOW THE MOTOR, AND DE-JAM THE MACHINE BY REVOLVING THE MOTOR SHAFT.
AFTER FREEING ROTR/TURNTABLE, REMOVE OBJECT WHICH CAUSED JAM.
- 7 IF THERMAL OVERLOAD HAS TRIPPED BY LOCKED MOTOR, OR FOR ANY REASON, MOTOR MUST COOL 5 MINUTES BEFORE RE-SETTING.
IF MOTOR OVERHEATS WITH ROTOR FREE, SERVICE IS NEEDED. REPEATED RE-SETTING CAN DAMAGE BOTH HEATERS AND MOTOR.
- 8 RECURRENT DRAIN STOPPAGE, AFTER LONG TROUBLE-FREE USE, MAY INDICATE INADEQUATE DISINTEGRATION OF DISCHARGED WASTE, RESULTING FROM NORMAL WEAR OF PARTS. A WIDENED GAP BETWEEN ROTOR AND SIZING RING MAY REQUIRE SERVICE.

Master Disposers

SOMAT COMPANY
165 Independence Court, Lancaster, PA 17601
717-397-5100 — FAX #717-299-4131
800-237-6628 ext. 173 — www.masterdisposers.com

TW Food Equipment Group



SERIES B, C & D INSTALLATION

INSTALLATION PROCEDURES FOR ALL SERIES MASTER DISPOSERS

A number of operational problems, uncalled for, yet perhaps common with all waste disposers, may be easily avoided by carefully following Data Sheet diagrams and Installation Procedures listed below. If the selected disposer has been correctly sized and powered for the waste-area involved, potential troubles can be eliminated by following MASTER'S CHECK LISTS for Plumbing and Electrical Contractors.

PLUMBING CONTRACTORS INSTALLATION CHECK LIST

- 1 WATER SUPPLY** — All Series of MASTER DISPOSERS should have a cold water supply line, with minimum 25 pounds flow pressure. The water, required for operation of the disposer, entering the body both above and below the Rotor/Turntable, must be cold water only. If hot water from some other source, must drain through the disposer, cold water should be added.
- 2 TOP WATER** — As illustrated on the Installation Data Sheets, adequate "Automatic Water", actuated by the Solenoid Valve, must enter the body/chamber, ahead of, and along with the food waste. A 10 GPM "Top Water" Flow Control is furnished with MASTER Series B Models. An 8 GPM "Top Water" Flow Control is provided with the Series C Model. Double-end Trough installations require two "Top Water" flow controls. Smaller, Series D hanging units need only one 3 GPM Top Water control. When installing flow controls, follow directional arrows on control.
- 3 BOTTOM WATER** — This slurry-thinning water inlet, using the 3 GPM Control furnished with Series B & C models, is located beneath the Rotor/Turntable. It is vitally important for trouble-free operation. This added water assures free-movement of the waste particles and water, out through the discharge outlet, and on through the trap and the entire drain line.
- 4 DRAINLINE** — The disposer's branch drain, of the size shown on the Data Sheet diagram, should be as short as possible, with a minimum of angle-bends. Traps, elbows and tees, should be of a long-sweeping type. Drain-slope should be quarter inch per foot minimum.
- 5 CLEAR DRAIN** — Before placing any Commercial food waste disposer in use, the drain line should be thoroughly rodded and cleared. This applies to new as well as to old construction.
- 6 GREASE TRAP** — CAUTION! Never install any disposer with the slurry discharging into a grease trap!

ELECTRICAL CONTRACTORS INSTALLATION CHECK LIST

- 1 VOLTAGE/PHASE/HORSEPOWER** — Before starting installation of Disposer and Control, make certain that electrical characteristics correspond; on the MOTOR, and the CONTROL.
- 2 MOTOR CONTROLS** — **CAUTION!!!** THERE IS NO OVERLOAD PROTECTION IN MOTORS ON SERIES B & C. To avoid motor damage and to have safe/dependable motor-overload protection, Master Disposers, without resets in motor, use full starters (not contactors) with thermal overloads for full load Amperes, as indicated on each motor name plate. Switch should be 3 pole design, have a marked off position and should be mounted in sight of the disposer or sink opening for the disposer. Failure to follow above instructions could result in a risk of possible fire, electric shock, or injury to persons. ALL MASTER prefabricated control systems, have protection against both under voltage and motor overload. Short circuit protection supplied by contractor.
- 3 TIME DELAY** — Auto Reversing Prefabricated Controls all include time delay. The Auto Off timer initiates the shut down sequence. Auto off is not enabled when controls ship from factory. The Clean Out timer is set by default at the recommended 2 minute cycle which keeps water flowing, and motor running at idle to clean out waste chamber and the drain line. The Positive Flush timer controls the water flow for flushing the system after the motor stops. Positive flush is not enabled from the factory. Please reference instructions in control panel.
- 4 FUSES** — Any fuses used in conjunction with disposers, must be dual-element, delayed action type.
- 5 ROTATION** — ALL MASTER DISPOSERS are reversible, so start-up rotation may be disregarded by installer. With auto reversing controls, the motor must be off for about 30 seconds for direction to be reversed.

Master Disposers

SOMAT COMPANY
165 Independence Court, Lancaster, PA 17601
717-397-5100 — FAX #717-299-4131
800-237-6628 ext. 173 — www.masterdisposers.com

///TW Food Equipment Group



SERIES B 10-5/8" ROTOR

AVAILABLE IN 3, 5, 7.5, 10 HP

APPLICATION: Dishwashing areas and all food prep areas of large restaurants and institutional kitchens.

SPECIFICATIONS: Disposer to be a Master Disposer Model B(HP) - (Chamber Style) - (Mounting Assm.) - (Control & Voltage)
 10 5/8" Diameter Rotor/Turtable with exclusive adjustable 45° angle and 6 integral impact breakers constructed of hardened ductile steel alloy for long life use. Matching 45° Sizing Ring with 24 grind teeth constructed of hardened ductile steel alloy. Exclusive 8 1/4" throat opening to allow for faster feeding. Flexible neoprene collar to eliminate vibration and increase ease of installation. Versatile low body or offset grind chambers with force feed directional deflectors. Bolt on grind chamber allows replacement of all wearing parts without disturbing plumbing and electrical connections. Bolt on discharge flange for easy removal. Adjustable legs to level disposer and meet drain stub. Bolt on "Continuous Duty" motor for easy removal. Exclusive shaft extension with 3/4" wrench flats to externally de-jam foreign matter without special tools. Heavy cast alloy construction providing an extra long life disposer.

MOUNTING ASSEMBLIES:

"SK" 8 1/4" Sink Adaptor

"BC" 12" or 18" Bowl Cone

(All assemblies include; water inlet, vacuum breaker, flow controls, solenoid valve, and silver saver)

"L" LOW CHAMBER (STANDARD)



"O" OFFSET CHAMBER



ADAPTORS: Available for replacing any make disposer

CONTROL GROUP:



MC
Magnetic Contactor w/ Overload Protection

("MS-1", "MS-2", and "RMS-2" NOT AVAILABLE FOR "B" SERIES)

AUTOMATIC REVERSING CONTROL CENTERS:



RAC1
Auto Rev
Timed Water Afterrun
Timed Motor Afterrun
Auto Off Feature



RAC2
Auto Rev
Timed Water Afterrun
Timed Motor Afterrun
Auto Off Feature
Lighted Push Buttons
Line Disconnect Handle

EXAMPLE OF DATA SEQUENCE FOR SPECIFICATION AND ORDERING

B 5 - L - SK - RAC2 230/60/3

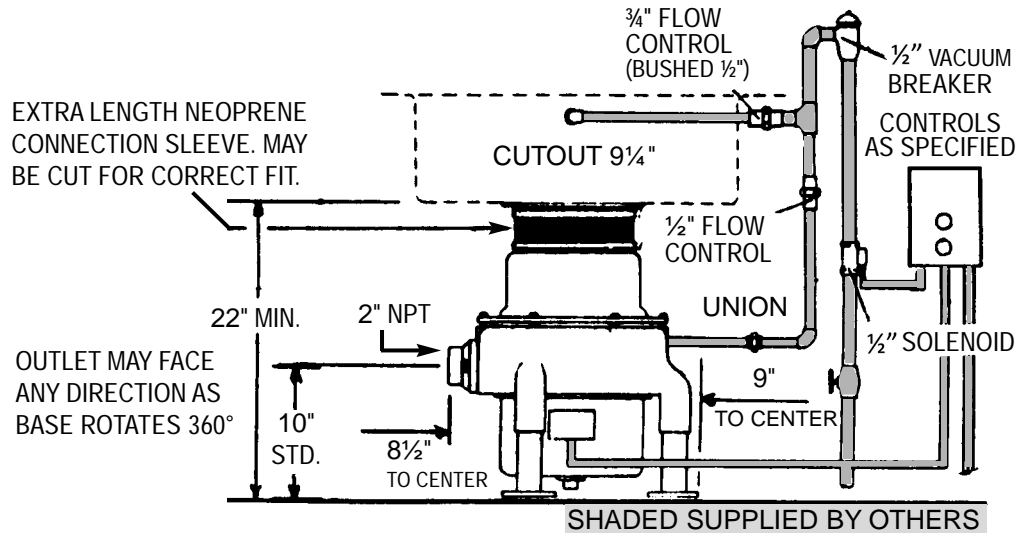
Series
Horsepower
Chamber
L = Low Body
O = Offset

Control Group as specified (Must advise Electrical Characteristics)
Mounting Assembly Group
BC = Bowl Cone
SK = Sink Adaptor

SERIES "B" INSTALLATION DATA AND DIMENSIONS

TYPICAL INSTALLATION

8 1/4" SINK ADAPTOR 'SK'



MOTOR DATA			
HP	PH	Voltage	Amps.
3	3	208-230/460	10.5/5.25
5	3	208-230/460	17.0/8.5
7 1/2	3	208-230/460	22.0/11.0
10	3	208-230/460	26.0/13.0

Continuous Duty-Dual Voltage and Dual Direction-1750 RPM-60 CY Motors. Full service factor-in accordance with NEMA & NEC electrical codes. Bearings permanently lubricated.

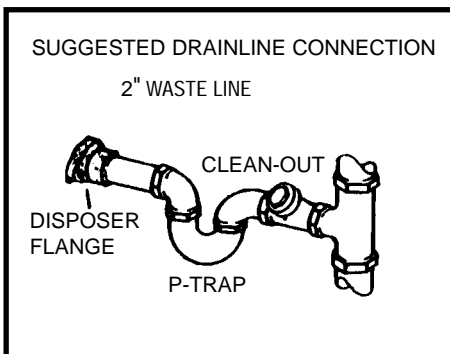
DISPOSER PLUMBING

INLET: 1/2" cold water supply at 20 lbs. minimum flow pressure.

OUTLET: 2" female std. thread pipe coupling. Connect directly to drain, not thru grease trap.

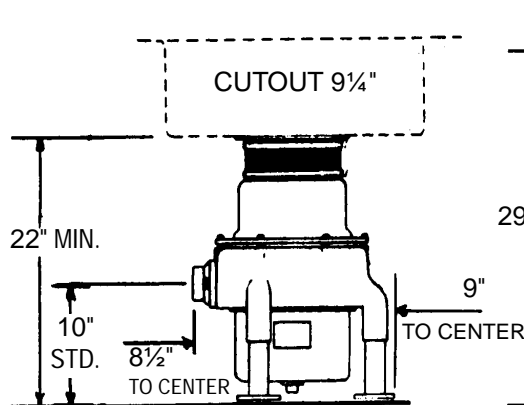
DRAIN: Min. slope 1/4" per foot. Use recessed thread fitting w/pipe ends reamed/burr-free. Use short horizontal line w/ elbows and tees at minimum, using only long-sweep type. Connected to 3" branch line running into stack.

IMPORTANT: Rod and clean drain before using disposer, even in a new installation.

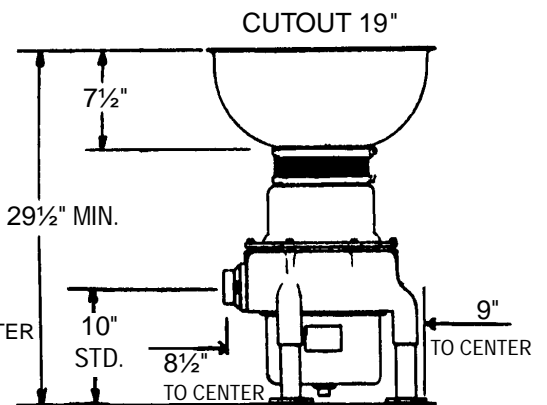


DIMENSIONS

8 1/4" SINK ADAPTOR 'SK'



18" BOWL / CONE 'BC'



NOTE:
ALL ELECTRICAL AND PLUMBING CONNECTIONS SHOULD BE MADE ACCORDING TO LOCAL AND AREA CODES.

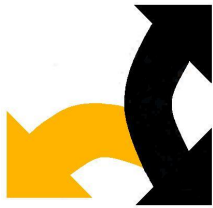
All dimensions are for "L" Low Chamber
For "O" Offset Chamber, consult factory.



Master Disposers

SOMAT COMPANY
165 Independence Court, Lancaster, PA 17601
717-397-5100 — FAX #717-299-4131
800-237-6628 ext. 173 — www.masterdisposers.com

TW Food Equipment Group



APPLICATION: General food waste in small or medium restaurants. Salad prep areas, dishwashing and pot sink areas of average institutional kitchens.

SPECIFICATIONS: Disposer to be a Master Disposer Model C(HP) - (Chamber Style) - (Mounting Assm.) - (Control & Voltage)
8 5/8" Diameter Rotor/Turntable with exclusive adjustable 45° angle and 4 integral impact breakers constructed of hardened ductile steel alloy for long life use. Matching 45° Sizing Ring with 24 grind teeth constructed of hardened ductile steel alloy. Exclusive 8 1/4" throat opening to allow for faster feeding. Flexible neoprene collar to eliminate vibration and increase ease of installation. Versatile low body or offset grind chambers with force feed directional deflectors. Bolt on grind chamber allows replacement of all wearing parts without disturbing plumbing and electrical connections. Bolt on discharge flange for easy removal. Adjustable legs to level disposer and meet drain stub. Bolt on "Continuous Duty" motor for easy removal. Exclusive shaft extension with 3/4" wrench flats to externally de-jam foreign matter without special tools. Heavy cast alloy construction providing an extra long life disposer.

MOUNTING ASSEMBLIES:

"SK" 8 1/4" Sink Adaptor

"BC" 12" or 18" Bowl Cone

(All assemblies include; water inlet, vacuum breaker, flow controls, solenoid valve, and silver saver)

"L" LOW CHAMBER (STANDARD)

"O" OFFSET CHAMBER



ADAPTORS: Available for replacing any make disposer

CONTROL GROUP:



MC
Magnetic Contactor w/ Overload Protection

("MS-1", "MS-2", and "RMS-2" NOT AVAILABLE FOR "B" SERIES)

AUTOMATIC REVERSING CONTROL CENTERS:



RAC1
Auto Rev
Timed Water Afterrun
Timed Motor Afterrun
Auto Off Feature



RAC2
Auto Rev
Timed Water Afterrun
Timed Motor Afterrun
Auto Off Feature
Lighted Push Buttons
Line Disconnect Handle

EXAMPLE OF DATA SEQUENCE FOR SPECIFICATION AND ORDERING

C 5 - L - SK - RAC2 230/60/3

Series
Horsepower
Chamber
L = Low Body
O = Offset

Control Group as specified (Must advise Electrical Characteristics)
Mounting Assembly Group
BC = Bowl Cone
SK = Sink Adaptor

SERIES "C" INSTALLATION DATA AND DIMENSIONS

MOTOR DATA

HP	PH	Voltage	Amps.
1½	1	115/230	18.0/9.0
1½	3	208-230/460	6.4/3.2
2	3	208-230/460	7.0/3.5
3	3	208-230/460	10.5/5.25
5	3	208-230/460	17.0/8.5
7½	3	208-230/460	22.0/11.0
10	3	208-230/460	26.0/13.0

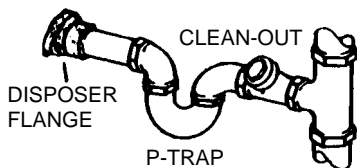
Continuous Duty-Dual Voltage and Dual Direction-1750 RPM-60 CY Motors. Full service factor-in accordance with NEMA & NEC electrical codes. Bearings permanently lubricated.

DISPOSER PLUMBING

INLET: ½" cold water supply at 20 lbs. minimum flow pressure.
OUTLET: 2" female std. thread pipe coupling. Connect directly to drain, not thru grease trap.
DRAIN: Min. slope ¼" per foot. Use recessed thread fitting w/pipe ends reamed/burr-free. Use short horizontal line w/ elbows and tees at minimum, using only long-sweep type. Connected to 3" branch line running into stack.
IMPORTANT: Rod and clean drain before using disposer, even in a new installation.

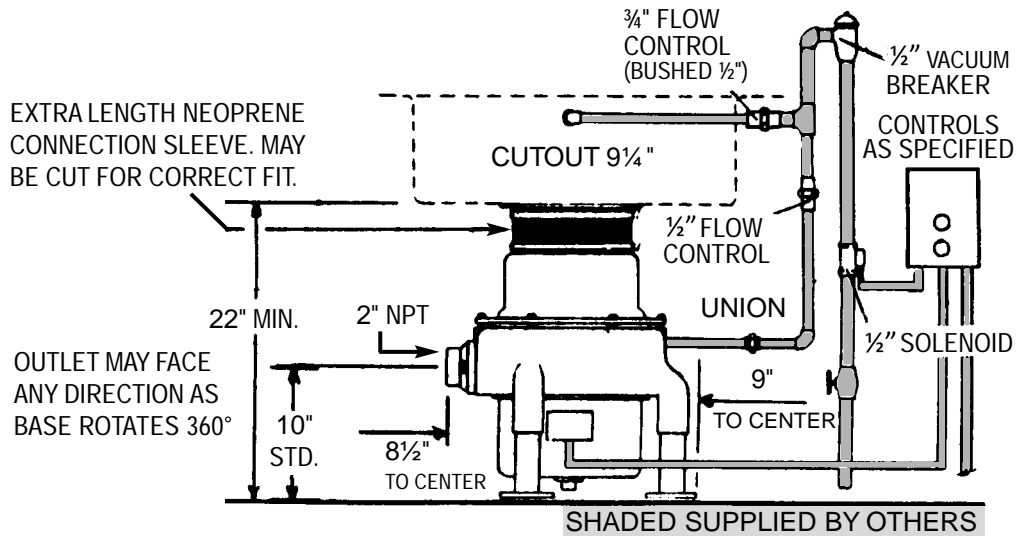
SUGGESTED DRAINLINE CONNECTION

2" WASTE LINE



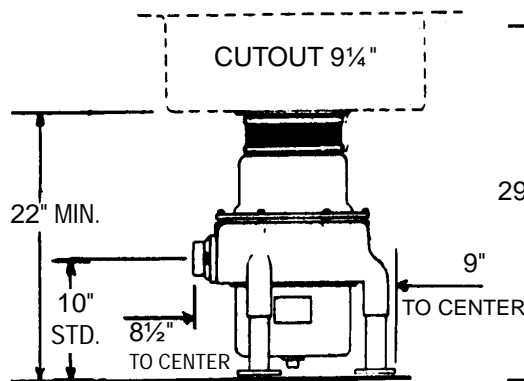
TYPICAL INSTALLATION

8¼" SINK ADAPTOR 'SK'

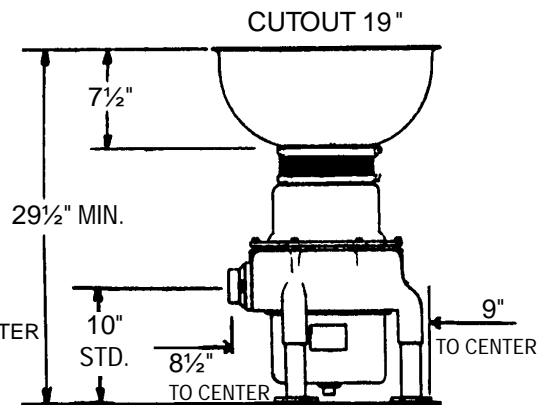


DIMENSIONS

8¼" SINK ADAPTOR 'SK'



18" BOWL / CONE 'BC'



NOTE:
 ALL ELECTRICAL AND PLUMBING CONNECTIONS SHOULD BE MADE ACCORDING TO LOCAL AND AREA CODES.

All dimensions are for "L" Low Chamber
 For "O" Offset Chamber, consult factory.



Master Disposers

SOMAT COMPANY
 165 Independence Court, Lancaster, PA 17601
 717-397-5100 — FAX #717-299-4131
 800-237-6628 ext. 173 — www.masterdisposers.com

TW Food Equipment Group



APPLICATION: Salad prep areas and areas of small volume and light waste.

SPECIFICATIONS: Disposer to be a Master Disposer Model D(HP) - (Chamber - (Style) - (Mounting - (Assm.) - (Control & Voltage)
6" Diameter Rotor/Turntable with 2 integral impact breakers constructed of hardened ductile steel alloy for long life use. Matching Sizing Ring with 20 grind teeth constructed of hardened ductile steel alloy 4 3/4" throat opening. Low body chamber with force feed directional deflectors. Bolt on grind chamber for ease of removing disposer during servicing. Cast in discharge flange. Water inlet in waste chamber wall. Bolt on "Continuous Duty" motor for easy removal. Exclusive shaft extension with 1/2" wrench flats to externally de-jam foreign matter without special tools. Heavy cast alloy construction providing an extra long life disposer

MOUNTING ASSEMBLIES:

"SK" 4 3/4" Sink Adaptor

INCLUDES: Vacuum Breaker, Flow Control, Stopper, and Solenoid Valve

"SK" 8 1/4" Sink Adaptor

INCLUDES: Vacuum Breaker, Flow Control, Silver Saver, and Solenoid Valve

"BC" 12" or 18" Bowl Cone

INCLUDES: Vacuum Breaker, Flow Control, Silver Saver, Water Inlet, and Solenoid Valve

"L" LOW CHAMBER
(STANDARD)



ADAPTORS: Available for replacing any make disposer

CONTROL GROUP:



MS SERIES
Manual On/Off Switch
(Non-Reversing)



MC SERIES
Magnetic Starter
(Non-Reversing)



RMS SERIES
Drum Switch
(Manual-Reversing)

AUTOMATIC REVERSING PREFABRICATED CONTROL CENTERS:



RAC1
Auto Rev
Timed Water Afterrun
Timed Motor Afterrun
Auto Off Feature



RAC2
Auto Rev
Timed Water Afterrun
Timed Motor Afterrun
Auto Off Feature
Lighted Push Buttons
Line Disconnect Handle

EXAMPLE OF DATA SEQUENCE FOR SPECIFICATION AND ORDERING

D 1 - L - SK - RAC2 230/60/3

Series
Horsepower
Chamber
L = Low Body STD.

Control Group as specified (Must advise Electrical Characteristics)
Mounting Assembly Group
BC = Bowl Cone
SK = Sink Adaptor

SERIES "D" INSTALLATION DATA AND DIMENSIONS

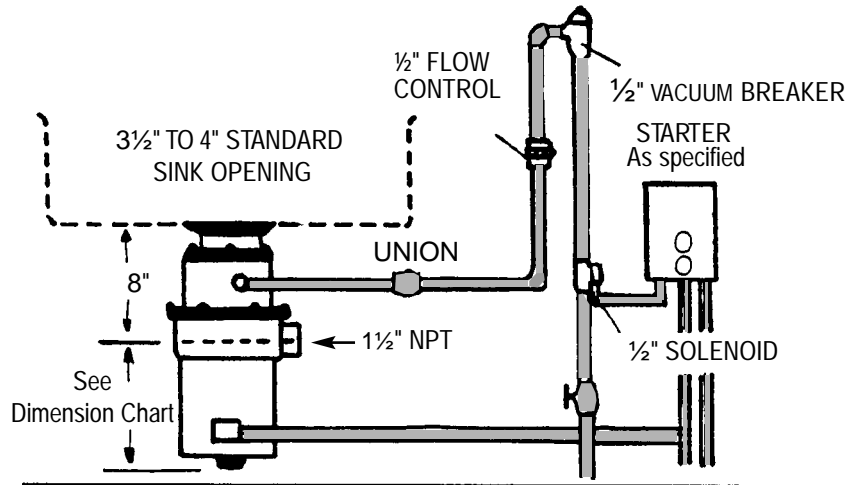
MOTOR DATA

HP	PH	Voltage	Amps.
1	1	115/230	13.2/6.6
1	3	208-230/460	4.2/2.1
2	1	115/230	19.0/9.5
2	3	208-230/460	6.0/3.0

Continuous Duty-Dual Voltage Dual Direction and overload protection in motor 1750 RPM-60 CY Motors. Full service factor-in accordance with NEMA & NEC electrical codes. Bearings permanently lubricated.

TYPICAL INSTALLATION

4³/₄" SINK ADAPTOR 'SK'



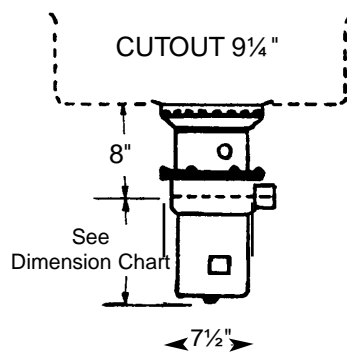
SHADED SUPPLIED BY OTHERS

DISPOSER PLUMBING

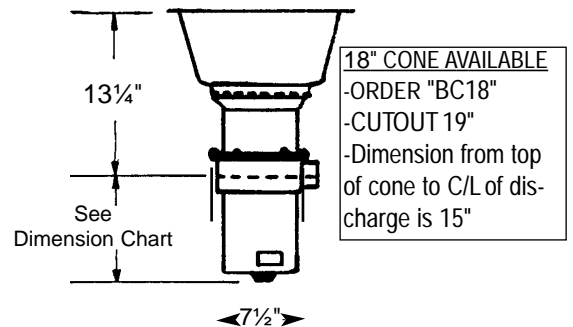
INLET: 1/2" cold water supply at 20 lbs. minimum flow pressure.
OUTLET: 1 1/2" female std. thread pipe coupling. Connect directly to drain, not thru grease trap.
DRAIN: Min. slope 1/4" per foot.
 Use recessed thread fitting w/pipe ends reamed/burr-free. Use short horizontal line w/ elbows and tees at minimum, using only long-sweep type. Connected to 2" branch line running into stack.
IMPORTANT: Rod and clean drain before using disposer, even in a new installation.

DIMENSIONS

8¹/₄" SINK ADAPTOR 'SK'



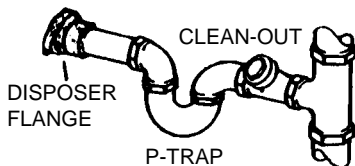
12" BOWL / CONE 'BC' CUTOUT 13"



18" CONE AVAILABLE
 -ORDER "BC18"
 -CUTOUT 19"
 -Dimension from top of cone to C/L of discharge is 15"

SUGGESTED DRAINLINE CONNECTION

1 1/2" WASTE LINE



DIMENSIONS

3 PHASE	
H.P.	Heights
1	9.75"
2	10.5"
1 PHASE	
H.P.	Height
1	9.75"
2	12.0"
BOTTOM OF SHAFT EXTENSION TO CENTERLINE OF DISCHARGE	



NOTE:
 ALL ELECTRICAL AND PLUMBING CONNECTIONS SHOULD BE MADE ACCORDING TO LOCAL AND AREA CODES.

Master Disposers

SOMAT COMPANY
 165 Independence Court, Lancaster, PA 17601
 717-397-5100 — FAX #717-299-4131
 800-237-6628 ext. 173 — www.masterdisposers.com

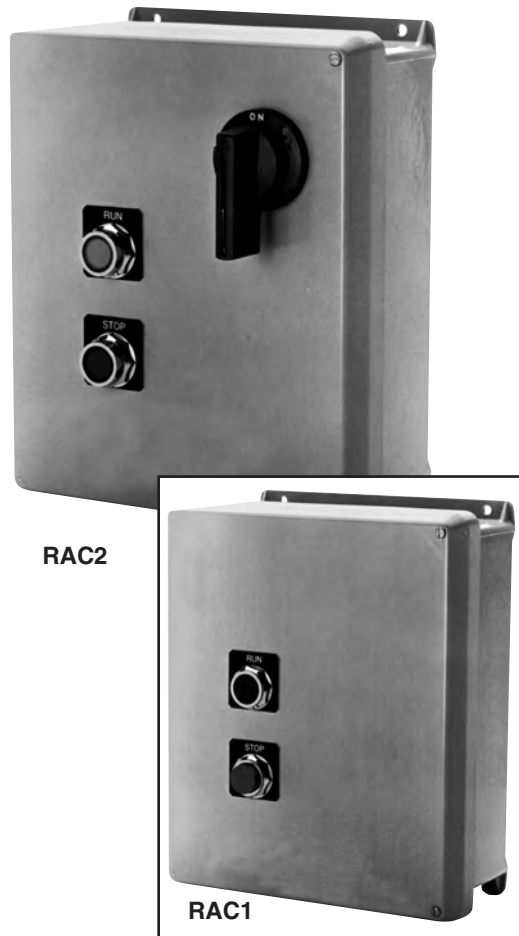
TW Food Equipment Group



Master Disposers
HEAVY DUTY FOODWASTE DISPOSERS

**MODELS RAC 1
RAC 2**

**RAC1 & RAC2
SERIES
AUTOMATIC REVERSING
MAGNETIC CONTROLS**



Model No. RAC1 Series	Model No. RAC2 Series	H.P. Range	Voltages*		PH
			L	H	
√ RAC1-0*	√ RAC2-0*	1	115	230	1
√ RAC1-1*	√ RAC2-1*	2	115	230	1
√ RAC1-2*	√ RAC2-2*	1 & 2	208/230	460	3
RAC1-1.5*	RAC2-1.5*	1.5 & 2	208/230	460	3
RAC1-2.5*	RAC2-2.5*	1.5	115	230	1
RAC1-5*	RAC2-5*	3 to 5	208/230	460	3
RAC1-7*	RAC2-7*	7.5	208/230	460	3
RAC1-10*	RAC2-10*	10	208/230	460	3

* - Indicate voltage by adding L or H to the end of model number.
√ - used for "D" series only

OPTIONS:

- PF: Positive flush.
- RS: Remote Start/Stop switch.
- EM: The *Eco-Mizer*™ Electricity and Water Saver.

PRODUCT INFORMATION:

- **APPLICATION:** Provides automatic reversing of motor (the motor runs in the opposite direction each time it is started) which doubles the life of the shattering mechanism.
- **DESIGN AND CONSTRUCTION:** High strength compression molded glass fiber reinforced polyester, NEMA4X (watertight, corrosion resistant) enclosure. Reversing magnetic contactors with built-in automatic reset overload relays to protect against low voltage, overloads and phase failure. Clearly marked terminal strip for easy connection of incoming power, solenoid valve and remote switch.
- **DESIGN FEATURES:** Encapsulated solid state control circuit board with self-diagnostic circuitry and indicator lights. Front mounted, heavy duty Start and Stop pushbuttons. RAC2 Series features illuminated pushbuttons to indicate mode of operation, built-in clean out cycle (2 minute time delay for flushing of disposer and waste lines) and disconnect switch with heavy duty front mounted "pistol grip" handle with provision for lockout. Anti-plug relay to prevent motor reversing while running or coasting.
- The *Eco-Mizer*™ Electricity and Water Saver conserves water and electricity usage by limiting disposer run time to a preset interval. Specify 5 to 15 minutes.
- **WARRANTY:** One full year from date of purchase by end user or eighteen months from date of shipment from factory, covering defects in material or workmanship; parts and labor included.

Consultant/Contractors Approval



Master Disposers

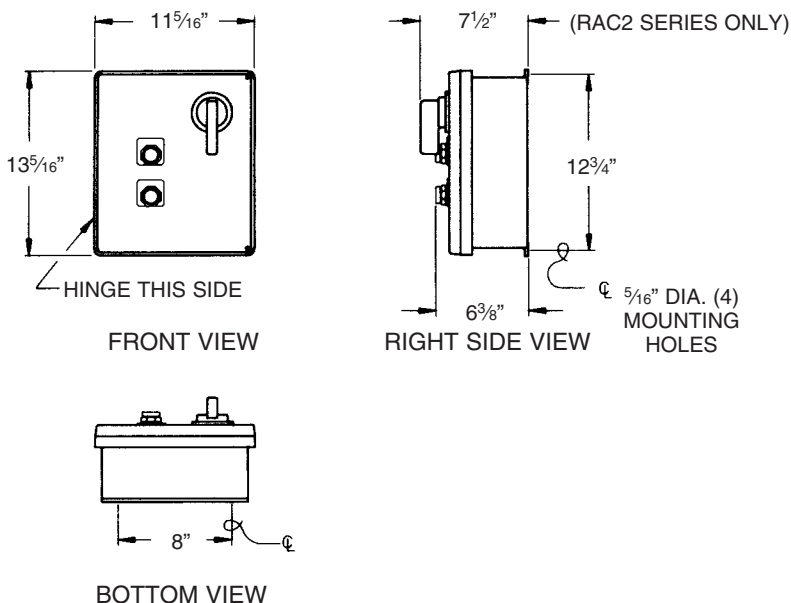
SOMAT COMPANY
165 Independence Court, Lancaster, PA 17601
717-397-5100 — FAX #717-299-4131
800-237-6628 ext. 173 — www.masterdisposers.com

TW Food Equipment Group

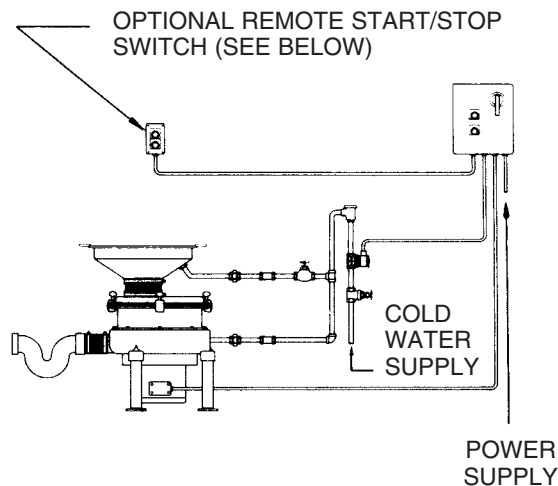
MODELS RAC1 & RAC2 AUTOMATIC REVERSING MAGNETIC CONTROLS



■ DIMENSIONS:



■ TYPICAL INSTALLATION:



■ SHIPPING DIMENSIONS AND WEIGHTS:

MODEL NO.	WIDTH		DEPTH		HEIGHT		WEIGHT		VOLUME	
	in.	mm	in.	mm	in.	mm	lbs.	kg	cu. ft.	cu. m
RAC1	12	305	14	356	11	279	25	11	1.1	.03
RAC2	12	305	14	356	11	279	28	13	1.1	.03

■ BID SPECIFICATIONS: (Example)

Item No. _____ Control Center

Control Center shall be Master Disposer model *RAC2-5L*

Construction: Shall be NEMA4X watertight, corrosion resistant, molded glass fiber reinforced polyester enclosure. Reversing magnetic contactors with overload relay to protect against low voltage, motor overload and phase failure. Front mounted heavy duty illuminated pushbuttons. Built in front-mounted disconnect switch with heavy duty pistol grip handle with provision for lockout. Encapsulated (moisture resistant) solid state low voltage control circuit with self diagnostic indicator lights. Anti-plug relay to prevent motor reversing while running or coasting. Clean out cycle 2 minute time delay. Shall include the *Eco-Mizer™* Electricity and Water Saver preset at factory to customer requirements, 5 to 15 minutes, at no additional cost.

Approvals and Warranty: Shall be UL (Underwriters Laboratories, Inc.) listed. Warranty shall cover parts, labor and mileage on all components for one year.

■ OPTIONS:

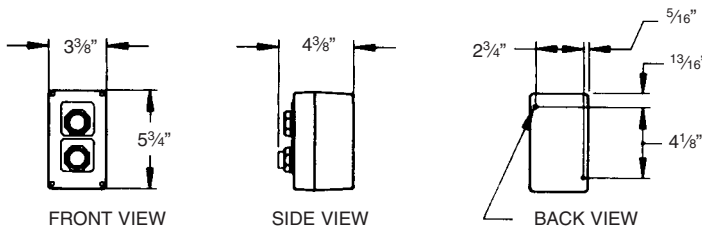


MODEL RS: REMOTE START/STOP SWITCH

Allows control panel to be located a distance away while Start/Stop switch can be mounted near disposer. NEMA4X enclosure. *Additional Cost*

MODEL PF: POSITIVE FLUSH

Leaves water running for flushing of waste chamber and drainline for two minutes after motor stops.



Master Disposers is not responsible for any typographical errors. Due to continued product improvement specifications are subject to change without prior notice.

Master Disposers

SOMAT COMPANY
165 Independence Court, Lancaster, PA 17601
717-397-5100 — FAX #717-299-4131
800-237-6628 ext. 173 — www.masterdisposers.com

TW Food Equipment Group

**MODEL MC**

For all Master Disposers series.

Model No.	H.P.	Voltage	Phase
MC-1L	1 to 2	115	1
MC-1H	1 to 2	230	1
MC-5L	1 to 10	230	3
MC-5H	1 to 10	460	3

**MC
SERIES
MAGNETIC STARTER
(NON-REVERSING)**

PRODUCT INFORMATION:

■ **APPLICATION:** Provides magnetic contactor control of motor for longer switch life.

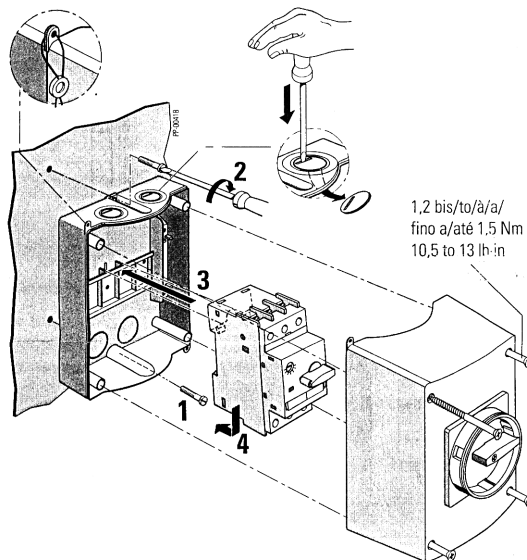


■ **DESIGN AND CONSTRUCTION:** High strength compression molded NEMA4X (watertight, corrosion resistant) enclosure. Magnetic contactor with built-in automatic reset overload relay to protect against low voltage, overloads and phase failure. Clearly marked terminal strip for easy connection of incoming power, solenoid valve and remote switch.

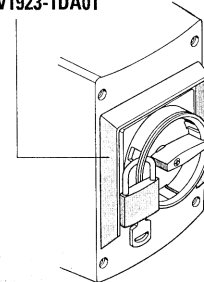


■ **WARRANTY:** One full year from date of purchase by end user or eighteen months from date of shipment from factory, covering defects in material or workmanship; parts and labor included.

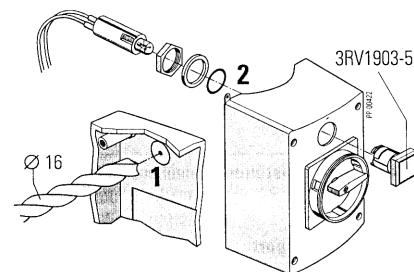
3RV1923-1.... (3RV1933-1....) [3RV1923-1DA01]



3RV1923-1DA01



3RV1903-5.



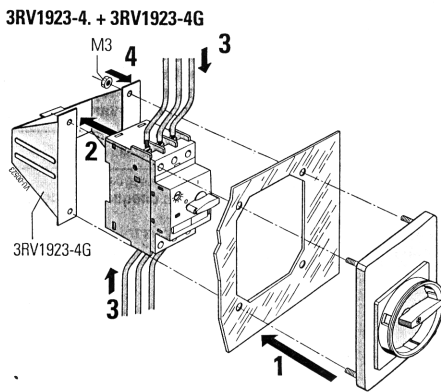
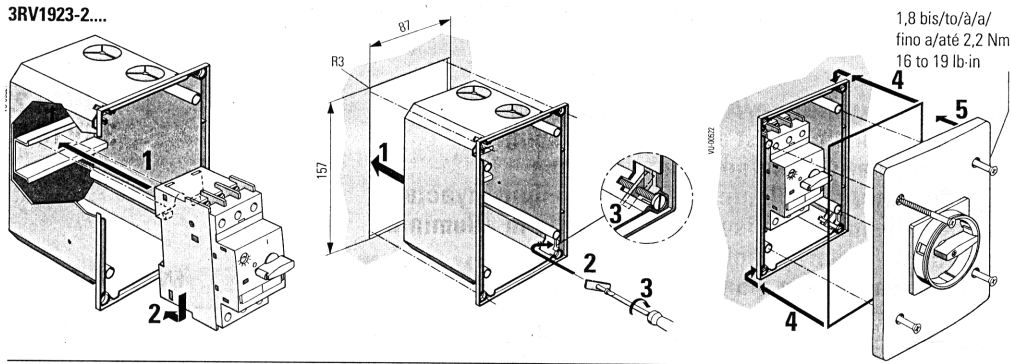
GWA 4NEB 469 0036-10d

Last update: 30 January 2003

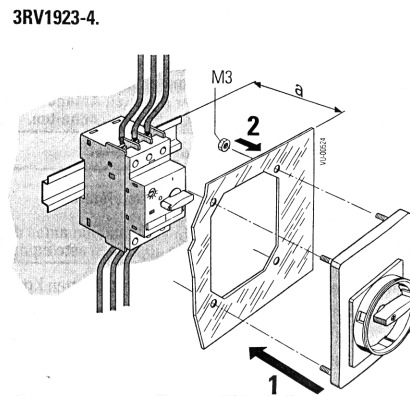
Master Disposers

SOMAT COMPANY
165 Independence Court, Lancaster, PA 17601
717-397-5100 — FAX #717-299-4131
800-237-6628 ext. 173 — www.masterdisposers.com

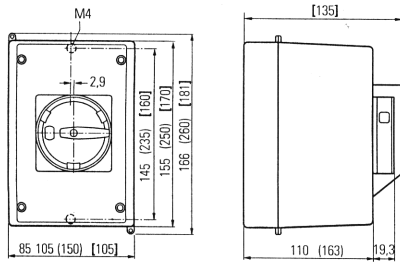
**MODEL MC
MAGNETIC STARTER (NON-REVERSING)**



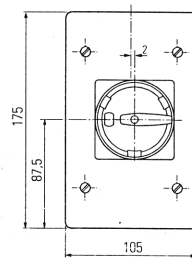
	a
3RV1.2	86,5
3RV1.3	139,0
3RV1.4	164,5



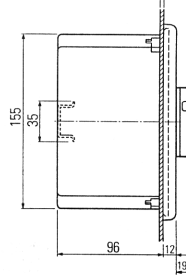
3RV1923-1C.../1D... (3RV1933-1D...) [3RV1923-1DA01]



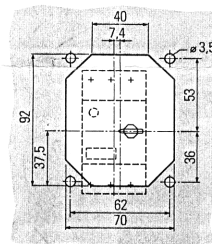
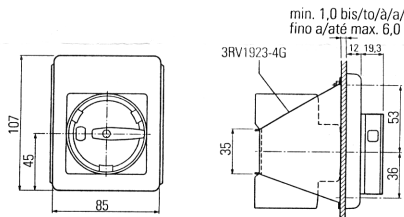
3RV1923-2....



min. 1,0 bis/to/a/a/ fino a/até max. 6,0



3RV1923-4 + 3RV1923-4G



Technical Assistance: Telephone: +49 (0) 9131-7-43833 (8⁰⁰ - 17⁰⁰ CET) Fax: +49 (0) 9131-7-42899
 E-mail: technical-assistance@siemens.com
 Internet: www.siemens.de/lowvoltage/technical-assistance

Technical Support: Telephone: +49 (0) 180 50 50 222

Subject to change without prior notice. Store for use at a later date.
 © Siemens AG 1998

Bestell-Nr./Order No.: 3ZX1012-0RV10-2AA1

Master Disposers is not responsible for any typographical errors. Due to continued product improvement specifications are subject to change without prior notice.

Master Disposers

SOMAT COMPANY
 165 Independence Court, Lancaster, PA 17601
 717-397-5100 — FAX #717-299-4131
 800-237-6628 ext. 173 — www.masterdisposers.com





Master Disposers
HEAVY DUTY FOODWASTE DISPOSERS

MODEL RMS-2

RMS SERIES MANUAL REVERSING DRUM SWITCH

For "D" series disposers only.

Model No.	Voltage	Phase	H.P.
RMS-2	115	1	1 to 2
	230	1	1 to 2
	208-230/460	3	1 to 2



PRODUCT INFORMATION:

- **APPLICATION:** Provides manually operated reversing of disposer which doubles the life of impact bars and sizing ring. Use when magnetic contactor and overload protection are not required.
- **DESIGN AND CONSTRUCTION:** NEMA4, watertight painted enclosure. Durable steel activating lever with positive stops for forward and reverse positions.
- **WARRANTY:** One full year from date of purchase by end user or eighteen months from date of shipment from factory, covering defects in material or workmanship; parts and labor included.



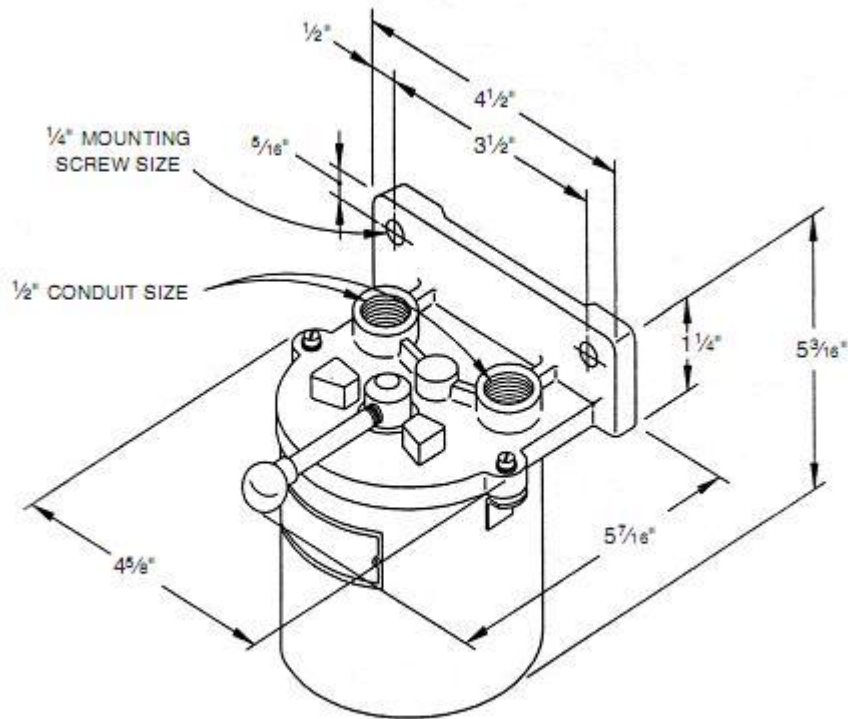
Consultant/Contractors Approval

Master Disposers

SOMAT COMPANY
165 Independence Court, Lancaster, PA 17601
717-397-5100 — FAX #717-299-4131
800-237-6628 ext. 173 — www.masterdisposers.com

TW Food Equipment Group

**MODEL RMS-2
MANUAL REVERSING DRUM SWITCH**



RMS-2

■ **SHIPPING DIMENSIONS AND WEIGHTS:**

MODEL NO.	WIDTH		DEPTH		HEIGHT		WEIGHT		VOLUME	
	in.	mm	in.	mm	in.	mm	lbs.	kg	cu. ft.	cu. m
RMS-2	5	127	5	127	7	178	3	1	0.1	.01

■ **BID SPECIFICATIONS: (Example)**

Item No. _____ Drum Switch

Drum Switch shall be Master Disposers model RMS-2.*

Construction: Shall be NEMA4 watertight, cast aluminum and steel enclosure with top mounted lever actuator.

Approvals and Warranty: Shall be UL (Underwriters Laboratories, Inc.) listed. Warranty shall cover parts, labor and mileage on all components for one year.

* **Specify HP, Voltage, and Phase when ordering**

Master Disposers is not responsible for any typographical errors. Due to continued product improvement specifications are subject to change without prior notice.

Master Disposers

SOMAT COMPANY
165 Independence Court, Lancaster, PA 17601
717-397-5100 — FAX #717-299-4131
800-237-6628 ext. 173 — www.masterdisposers.com





MODELS MS-1 MS-2

MS SERIES MANUAL ON/OFF SWITCH (NON-REVERSING)

For "D" series disposers only

Model No.	H.P.	Voltage	Phase
MS-1	1 to 2	115 or 230	1
MS-2	1 to 2	208, 230 or 460	3



PRODUCT INFORMATION:

- **APPLICATION:** Economical non-reversing On/Off switch for use when magnetic contactor and overload protection are not required.

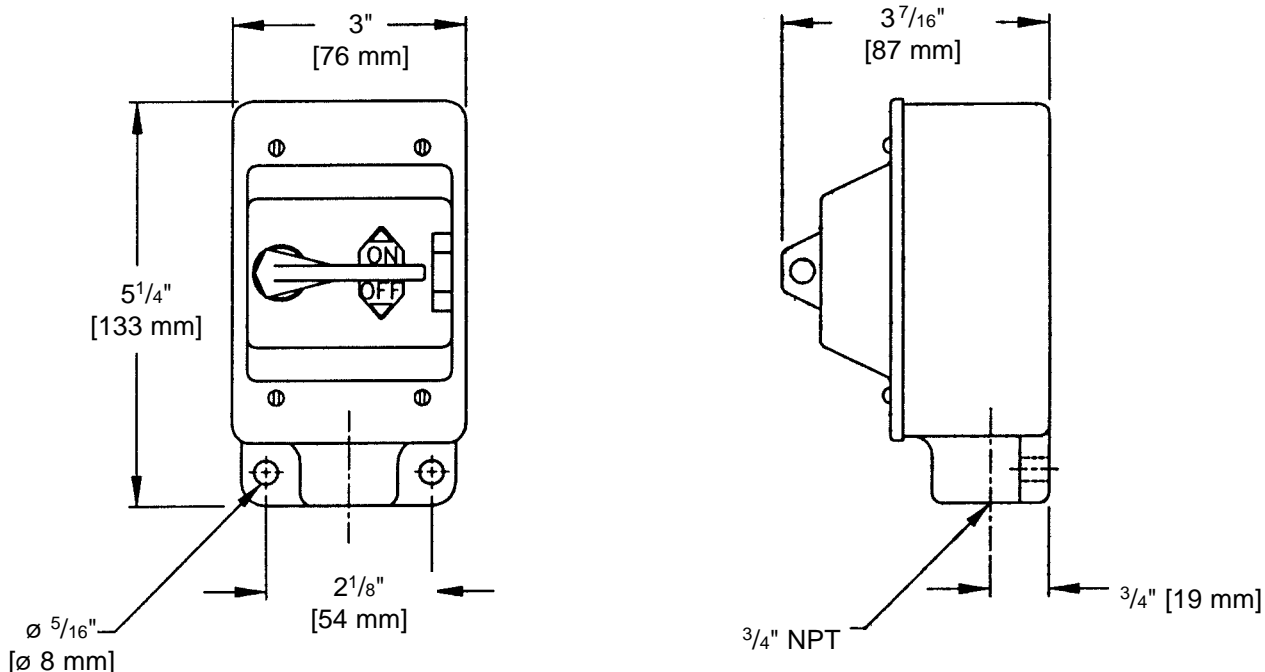
- **DESIGN AND CONSTRUCTION:** NEMA4, watertight, cast aluminum housing and cover. Cast aluminum lever actuator with provision for lockout.

- **WARRANTY:** One full year from date of purchase by end user or eighteen months from date of shipment from factory, covering defects in material or workmanship; parts and labor included.



Consultant/Contractors Approval

**MODELS MS-1 & MS-2
MANUAL ON/OFF SWITCH (NON-REVERSING)**



■ **SHIPPING DIMENSIONS AND WEIGHTS:**

MODEL NO.	WIDTH		DEPTH		HEIGHT		WEIGHT		VOLUME	
	in.	mm	in.	mm	in.	mm	lbs.	kg	cu. ft.	cu. m
MS-1	7	178	7	178	3	76	4	2	.09	.002
MS-2	7	178	7	178	3	76	4	2	.09	.002

■ **BID SPECIFICATIONS: (Example)**

Item No. _____ Manual Switch

Manual Switch shall be model MS-2*

Construction: Shall be NEMA4 watertight, cast aluminum enclosure with lever actuator and lock out provisions.

Approvals and Warranty: Shall be UL (Underwriters Laboratories, Inc.) listed. Warranty shall cover parts, labor and mileage on all components for one year.

* **Specify HP, Voltage, and Phase when ordering**

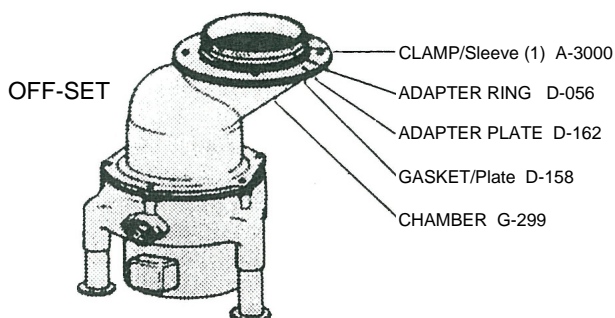
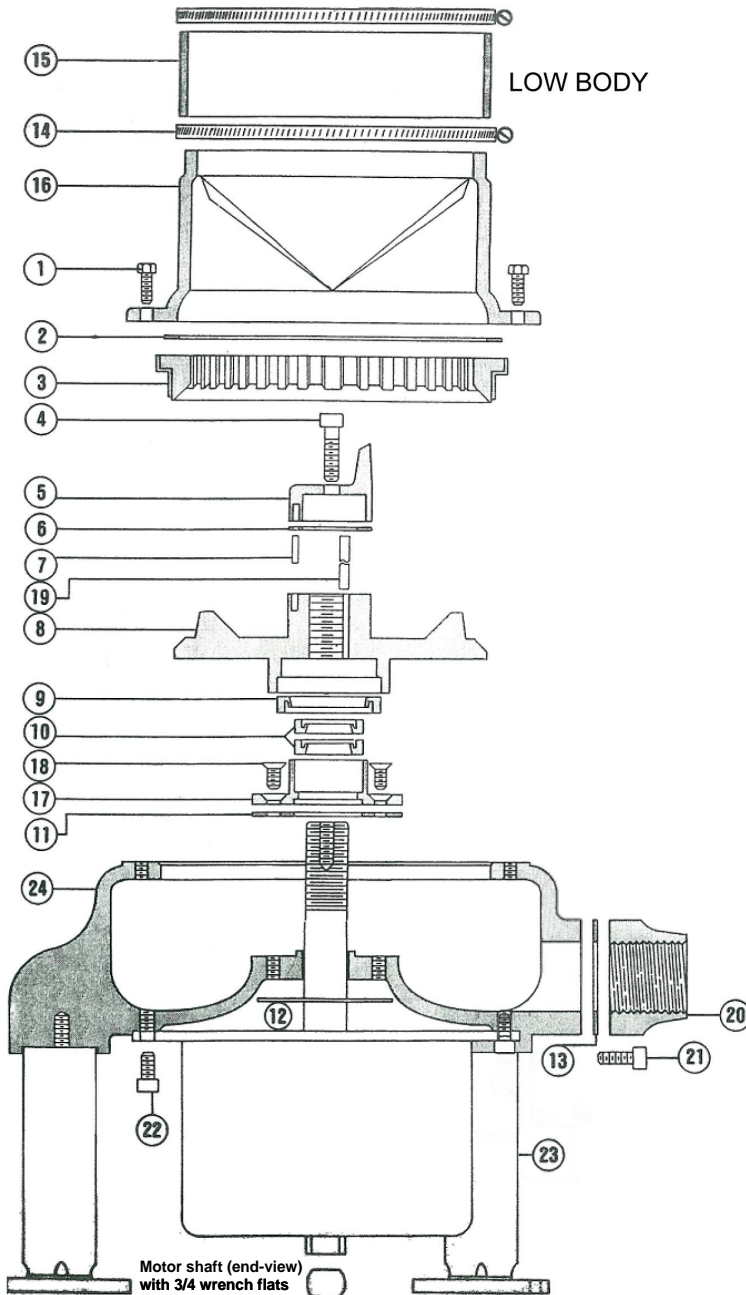
Master Disposers is not responsible for any typographical errors. Due to continued product improvement specifications are subject to change without prior notice.

Master Disposers

SOMAT COMPANY
165 Independence Court, Lancaster, PA 17601
717-397-5100 — FAX #717-299-4131
800-237-6628 ext. 173 — www.masterdisposers.com



SERIES B 10 5/8" ROTOR
PARTS BREAKDOWN



<u>Item No.</u>	<u>Part No.</u>
Numbers in parenthesis are total required quantities	
1 SCREWS/Waste Chamber (6)	A-4100
2 GASKET/Sizing Ring	D-280
3 SIZING RING	D-1272
4 SCREW/Center Breaker	A-4200
5 CENTER BREAKER	A-1288
6 GASKET/Center Breaker	A-1022
7 ROLL PIN	A-4201
8 ROTOR TURNTABLE	D-1287N
9 LIP SEAL/Rotor Turntable	D-1009
10 LIP SEALS/Motor Shaft (2)	A-1011
11 GASKET/Seal Housing	A-019
12 SLINGER/Motor Shaft	A-016
13 GASKET/Discharge Flange	A-161
14 CLAMPS/Sleeve (2)	A-3000
15 SLEEVE - Connector	G-554
16 WASTE CHAMBER - L.B.	G-556
17 SEAL HOUSING	D-1008
18 SCREWS/Seal Housing (4)	A-4202
19 KEY	A-1185
20 DISCHARGE FLANGE	A-159
21 SCREWS/Flange (2)	A-4120
22 SCREWS/Motor (4)	A-2213
23 LEG (3)	09-BC-927
24 BOWL	G-247
MOTOR OPTIONS	
- 3 HP / 3 PH	02-BC-033
- 5 HP / 3 PH	02-ABC-053
- 7.5 HP / 3 PH	02-ABC-723
- 10 HP / 3 PH	02-ABC-103
LOWER MOTOR BEARING	02-BC-401
UPPER MOTOR BEARING	02-BC-402
SEAL AND GASKET KIT	B-SGK-NS
- INCLUDES ITEMS	
2, 6, 9, 10, 11, 20, GREASE	
COMPLETE RENEWAL KIT	B-CRK-NS
- INCLUDES ITEMS	
1, 2, 3, 4, 5, 6, 7, 8, 9, 10, 11,	
12, 13, GREASE	

SERIES "B" PROCEDURE FOR COMPLETE PARTS REPLACEMENT

DISASSEMBLY		REASSEMBLY			
REMOVE PARTS IN THE FOLLOWING ORDER		REASSEMBLE DISPOSER COMPONENTS IN FOLLOWING ORDER			
STEP	ITEM	STEP	ITEM		
A	CLAMPS/Sleeve (two). Only lower clamp may require removal	14	A	GASKET/Seal Housing . Thoroughly clean surface for gasket seating.	11
B	SCREWS/Waste Chamber (six).	1	B	LIP-SEALS/Motor Shaft (two). Pack each seal cavity with waterproof grease. With open sides up, press in greased housing counterbore	10
C	WASTE CHAMBER .	16	C	SEAL HOUSING . Press on shaft with rotating downward motion, positioning housing well home on gasket. Secure w/ socket head SCREWS/Seal Housing (four)	17
D	GASKET/Sizing Ring	2			18
E	SIZING RING — Pry upward, uniformly around flange, to avoid cocking.	3	D	LIP SEAL . Position in Rotor Turntable counterbore with open side facing out. Fill Rotor Turntable cavity with grease.	9
F	SCREW/Center Breaker — Hold 3/4" flats on shaft extension Beneath motor, with wrench or vise-grip and remove screw	4	E	ROTOR TURNTABLE . Grip 3/4" wrench-flats on shaft extension beneath the motor, and screw (clockwise) onto the threaded shaft.	8
G	CENTER BREAKER . Winged Casting with ROLL PIN	5, 7	F	SIZING RING — Insert in Bowl (24), applying even pressure around the Ring to avoid cocking. The angular gap between Rotor Turntable and Sizing Ring should be approximately .030", with Sizing Ring firmly down on Bowl (24). Adjust gap by raising or lowering Rotor.	3
H	GASKET/Center Breaker	6	G	KEY — After gap is set, align shaft keyway with nearest slot in the Rotor Turntable, and insert key. Original key length must be used, as key extension is needed to grip key in removal.	19
I	KEY — Extra length, extended above shaft, permits gripping	19	H	GASKET/Center Breaker	6
J	ROTOR TURNTABLE . Grip shaft extension and turn Rotor counterclockwise.	8	I	CENTER BREAKER . Place on gasket. Align Roll Pin with hole in gasket and Rotor Turntable.	5, 7
L	LIP SEAL . Remove for counterbore of Impact Hub (22).	9	J	SCREW/Center Breaker — Tighten securely, gripping the shaft extension beneath motor.	4
M	SCREWS/Seal Housing (four).	18	K	GASKET/Sizing Ring . Position greased gasket, centered on Sizing Ring.	2
N	SEAL HOUSING . Remove with rotating, upward movement.	17	L	CHAMBER . Place on Sizing Ring Gasket, with matching screw holes aligned.	16
N	LIP SEALS/Motor Shaft (two). Remove from counterbore in Seal Housing.	10	M	SCREWS/Chamber (six) Start all screws. Re-check Ring gasket position. Tighten screws alternately.	1
O	GASKET/Seal Housing .	11	N	CLAMPS/Sleeve (two) Position Sleeve (15) on chamber and secure clamps	14
At this disassembly-point, clean, polish, and inspect shaft in seal area.					
To service motor, remove 4 Screws (22). Mark junction box location to facilitate repositioning .					
Install new replacement Slinger (12) on motor shaft. Before re-installing motor, thoroughly clean counterbore for motor-flange.					

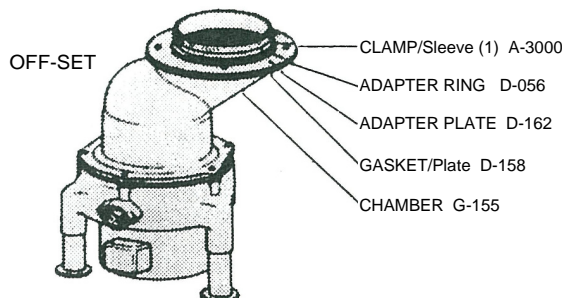
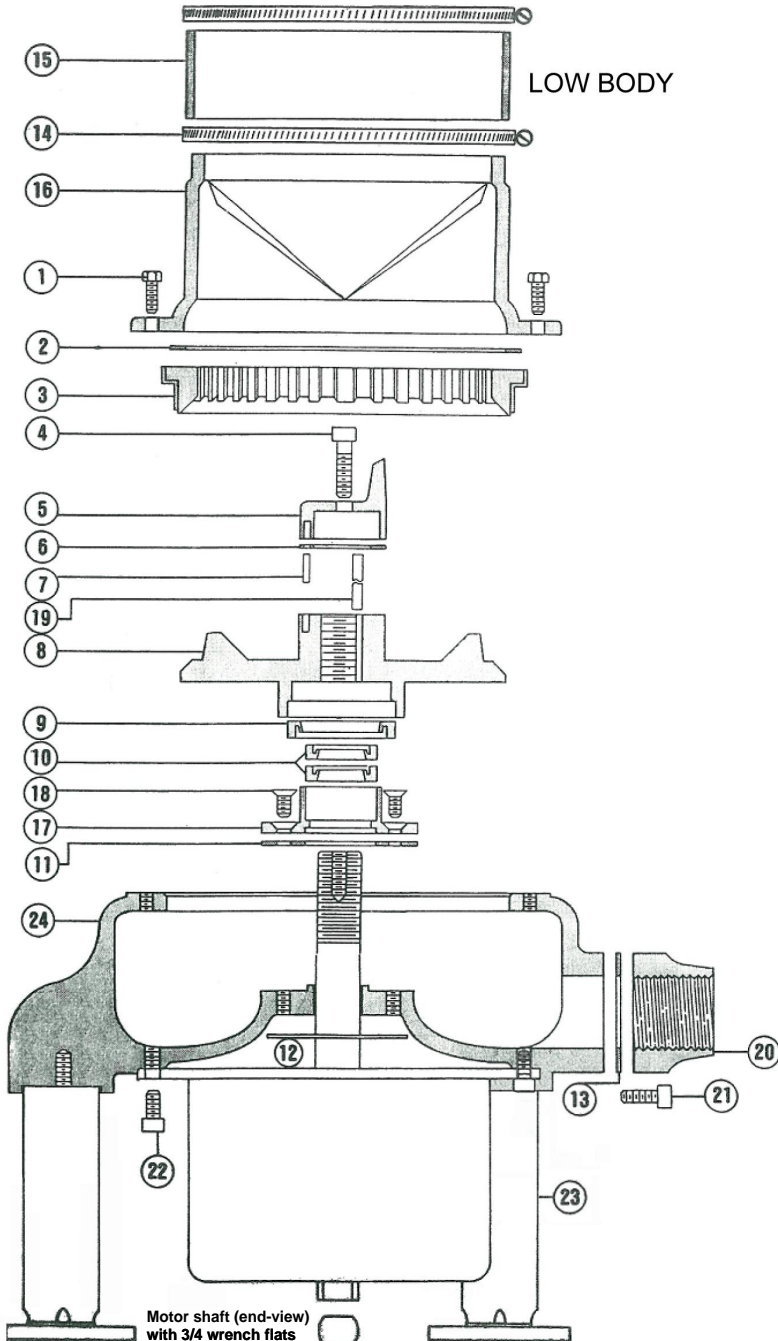
Master Disposers

SOMAT COMPANY
 165 Independence Court, Lancaster, PA 17601
 717-397-5100 — FAX #717-299-4131
 800-237-6628 ext. 173 — www.masterdisposers.com

 **TW Food Equipment Group**

SERIES C 8 5/8" ROTOR

PARTS BREAKDOWN



Item No.	Part No.
----------	----------

Numbers in parenthesis are total required quantities

1	SCREWS/Waste Chamber (6)	A-4100
2	GASKET/Sizing Ring	D-316-A
3	SIZING RING	D-1294
4	SCREW/Center Breaker	A-4200
5	CENTER BREAKER	A-1288
6	GASKET/Center Breaker	A-1022
7	ROLL PIN	A-4201
8	ROTOR TURNTABLE	D-1293N
9	LIP SEAL/Rotor Turntable	D-1009
10	LIP SEALS/Motor Shaft (2)	A-1011
11	GASKET/Seal Housing	A-019
12	SLINGER/Motor Shaft	A-016
13	GASKET/Discharge Flange	A-161
14	CLAMPS/Sleeve (2)	A-3000
15	SLEEVE - Connector	G-554
16	WASTE CHAMBER - L.B.	G-555
17	SEAL HOUSING	D-1008
18	SCREWS/Seal Housing (4)	A-4202
19	KEY	A-1185
20	DISCHARGE FLANGE	A-159
21	SCREWS/Flange (2)	A-4120
22	SCREWS/Motor (4)	A-2213
23	LEG (3)	09-BC-927
24	BOWL	R-154

MOTOR OPTIONS

- 1.5 HP / 1 PH	02-C-121
- 1.5 HP / 3 PH	02-C-123
- 2 HP / 3 PH	02-C-023
- 3 HP / 3 PH	02-BC-033
- 5 HP / 3 PH	02-ABC-053

LOWER MOTOR BEARING	02-BC-401
UPPER MOTOR BEARING	02-BC-402

SEAL AND GASKET KIT	C-SGK-NS
- INCLUDES ITEMS	
2, 6, 9, 10, 11, 20, GREASE	

COMPLETE RENEWAL KIT	C-CRK-NS
- INCLUDES ITEMS	
1, 2, 3, 4, 5, 6, 7, 8, 9, 10, 11,	
12, 13, GREASE	

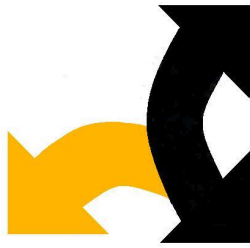
SERIES "C" PROCEDURE FOR COMPLETE PARTS REPLACEMENT

DISASSEMBLY		REASSEMBLY			
REMOVE PARTS IN THE FOLLOWING ORDER		REASSEMBLE DISPOSER COMPONENTS IN FOLLOWING ORDER			
STEP	ITEM	STEP	ITEM		
A	CLAMPS/Sleeve (two). Only lower clamp may require removal	14	A	GASKET/Seal Housing . Thoroughly clean surface for gasket seating.	11
B	SCREWS/Waste Chamber (six).	1	B	LIP-SEALS/Motor Shaft (two). Pack each seal cavity with waterproof grease. With open sides up, press in greased housing counterbore	10
C	WASTE CHAMBER .	16	C	SEAL HOUSING . Press on shaft with rotating downward motion, positioning housing well home on gasket. Secure w/ socket head SCREWS/Seal Housing (four)	17
D	GASKET/Sizing Ring	2			18
E	SIZING RING — Pry upward, uniformly around flange, to avoid cocking.	3	D	LIP SEAL . Position in Rotor Turntable counterbore with open side facing out. Fill Rotor Turntable cavity with grease.	9
F	SCREW/Center Breaker — Hold 3/4" flats on shaft extension Beneath motor, with wrench or vise-grip and remove screw	4	E	ROTOR TURNTABLE . Grip 3/4" wrench-flats on shaft extension beneath the motor, and screw (clockwise) onto the threaded shaft.	8
G	CENTER BREAKER . Winged Casting with ROLL PIN	5, 7	F	SIZING RING — Insert in Bowl (24), applying even pressure around the Ring to avoid cocking. The angular gap between Rotor Turntable and Sizing Ring should be approximately .030", with Sizing Ring firmly down on Bowl (24). Adjust gap by raising or lowering Rotor.	3
H	GASKET/Center Breaker	6	G	KEY — After gap is set, align shaft keyway with nearest slot in the Rotor Turntable, and insert key. Original key length must be used, as key extension is needed to grip key in removal.	19
I	KEY — Extra length, extended above shaft, permits gripping	19	H	GASKET/Center Breaker	6
J	ROTOR TURNTABLE . Grip shaft extension and turn Rotor counterclockwise.	8	I	CENTER BREAKER . Place on gasket. Align Roll Pin with hole in gasket and Rotor Turntable.	5, 7
L	LIP SEAL . Remove for counterbore of Impact Hub (22).	9	J	SCREW/Center Breaker — Tighten securely, gripping the shaft extension beneath motor.	4
M	SCREWS/Seal Housing (four).	18	K	GASKET/Sizing Ring . Position greased gasket, centered on Sizing Ring.	2
N	SEAL HOUSING . Remove with rotating, upward movement.	17	L	CHAMBER . Place on Sizing Ring Gasket, with matching screw holes aligned.	16
N	LIP SEALS/Motor Shaft (two). Remove from counterbore in Seal Housing.	10	M	SCREWS/Chamber (six) Start all screws. Re-check Ring gasket position. Tighten screws alternately.	1
O	GASKET/Seal Housing .	11	N	CLAMPS/Sleeve (two) Position Sleeve (15) on chamber and secure clamps	14
At this disassembly-point, clean, polish, and inspect shaft in seal area.					
To service motor, remove 4 Screws (22). Mark junction box location to facilitate repositioning .					
Install new replacement Slinger (12) on motor shaft. Before re-installing motor, thoroughly clean counterbore for motor-flange.					

Master Disposers

SOMAT COMPANY
 165 Independence Court, Lancaster, PA 17601
 717-397-5100 — FAX #717-299-4131
 800-237-6628 ext. 173 — www.masterdisposers.com

 **TW Food Equipment Group**

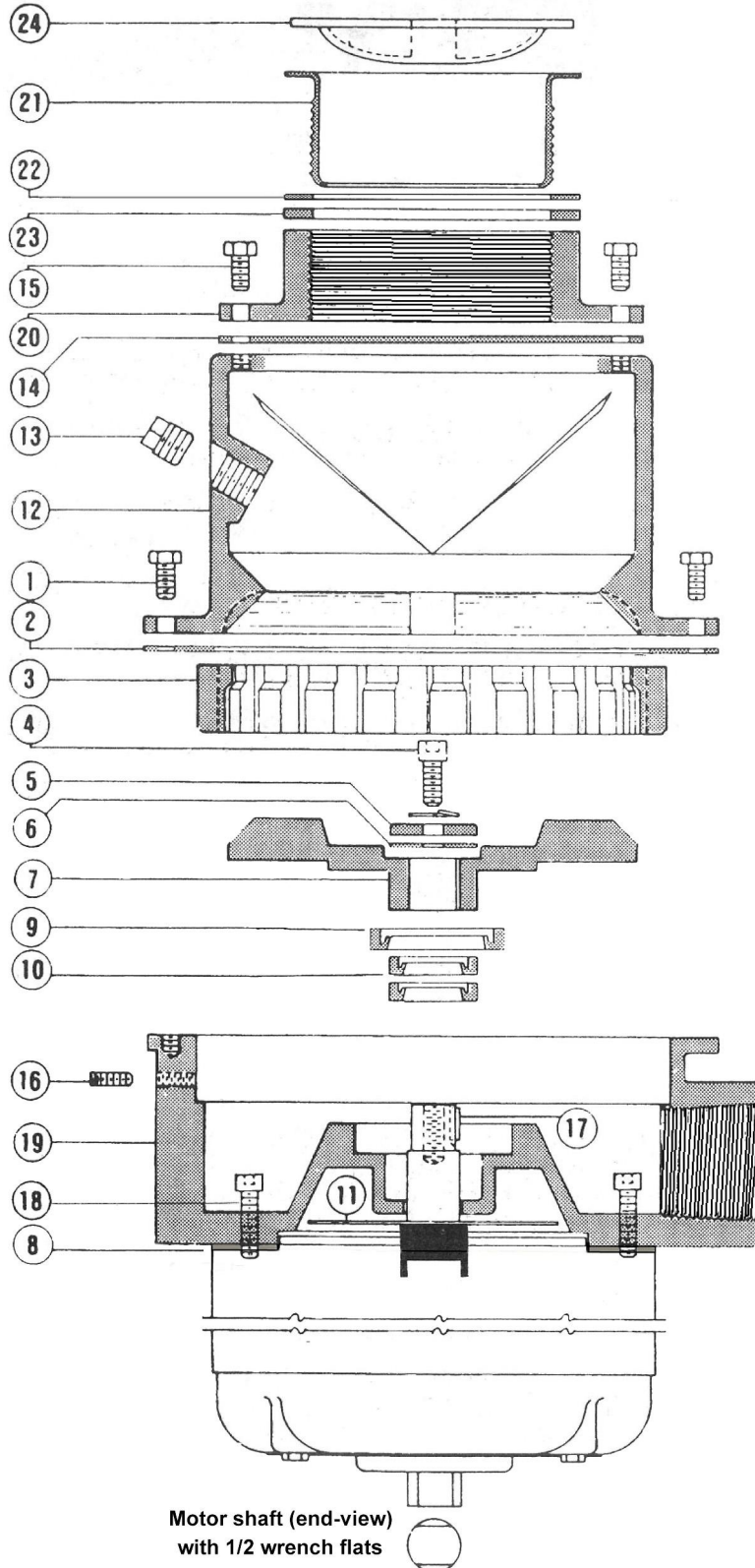


Master Disposers

HEAVY DUTY FOODWASTE DISPOSERS

SERIES D 6" ROTOR

PARTS BREAKDOWN

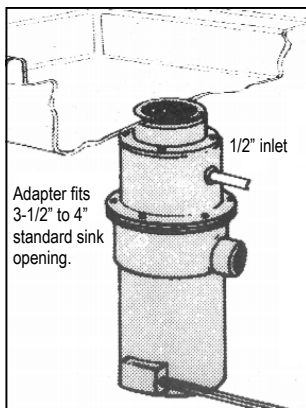


Item No.	Part No.
Numbers in parenthesis are total required quantities	
1 SCREWS/Waste Chamber (6)	A-3300
2 GASKET/Sizing Ring	A-906
3 SIZING RING	A-902
4 SCREW/Center Plate	A-3400
5 CENTER PLATE	A-908
6 GASKET/Center Plate	A-907
7 ROTOR TURNTABLE	A-901NS
8 GASKET: MOTOR/BASE	07-HA-5
9 LIP SEAL	A-920
10 LIP SEALS/Motor Shaft (2)	A-911A
11 SLINGER/Motor Shaft	A-912
12 WASTE CHAMBER	A-903
13 PLUG	10-5-27
14 SPLASHGUARD/GASKET	07-H-18
15 SCREWS/Head (4)	A-3301
16 SET-SCREWS/Sizing Ring(2)	A-3309
17 KEY	A-3310
18 SCREWS/Motor (4)	A-2202A
19 BOWL	A-900
20 HEAD-Casting	A-904
21 CUP-Stainless	27-H-15
22 GASKET-Fiber	07-H-20
23 GASKET-Vinyl	07-H-19
24 STOPPER	06-H-8
MOTOR OPTIONS	
- 1 HP / 1 PH	02-D-111
- 1 HP / 3 PH	02-D-013
- 2 HP / 1 PH	02-D-021
- 2 HP / 3 PH	02-D-023
LOWER MOTOR BEARING	02-5-400
UPPER MOTOR BEARING	M-6305
SEAL AND GASKET KIT	D-SGK-NS
- INCLUDES ITEMS	
2, 6, 8, 9, 10, GREASE	
COMPLETE RENEWAL KIT	D-CRK-NS
- INCLUDES ITEMS	
1, 2, 3, 4, 5, 6, 7, 8, 9, 10,	
11, GREASE	

SERIES "D" PROCEDURE FOR COMPLETE PARTS REPLACEMENT

DISASSEMBLY		REASSEMBLY	
DISASSEMBLE BY FOLLOWING THE STEPS BELOW IN ORDER		REASSEMBLE DISPOSER COMPONENTS IN FOLLOWING ORDER	
STEP	ITEM	STEP	ITEM
A	SCREWS/Waste Chamber. Remove 6 Screws, separating Bowl(19) from Chamber(12). Regardless of style of Head used, there is no need to remove Chamber when servicing unit	A	LIP-SEALS/Shaft (Two). Pack Seal cavities with waterproof grease. Press, open sides up into greased counterbore.
B	SET-SCREWS/Sizing Ring (two). Remove to free sizing ring.	B	SLINGER/Motor Shaft. Install replacement Slinger.
C	SCREW/Center Plate— with lock washer. Hold 1/2" flats on shaft extension beneath motor while removing Screw.	C	MOTOR. Before re-installing Motor, thoroughly clean the counterbore to accept Motor-Flange. Press greased shaft, with rotating motion, through the installed Lip-Seals. With Motor positioned as before, replace 4 Motor SCREWS
D	CENTER PLATE. Remove Plate and GASKET/Center Plate.	D	LIP-SEAL. Pack Seal cavity with waterproof grease. Press, open sides up, into greased counterbore.
E	Replace SCREW/Center Plate (4) in shaft-hole to protect threads. Hold shaft extension flats to replace screw.	E	ROTOR TURNTABLE— Place on shaft, aligning keyway slots in shaft & Rotor. Adjust Rotor so that the top of Rotor remains slightly above end of shaft. Insert KEY .
F	Insert two 3/8-16 screws in tapped holes in surface of Rotor turntable (7), leaving head-space for wheel puller.	F	GASKET/Center Plate. Place Gasket over center of shaft.
G	Tap gently with hammer around top surface of Ring (3) to loosen. Center a wheel puller on Screw (4). Then, using screws Inserted in Rotor Turntable, remove together: GASKET/Sizing Ring SIZING RING ROTOR TURNTABLE	G	CENTER PLATE. Position the Plate on top of Gasket.
H	KEY— Remove from keyway	H	SCREW/Center Plate— with lock washer. Hold 1/2" flats on shaft extension when tightening screw in shaft. Center Plate will press Rotor down into its correct position. Shaft-top will be flush with recess in Rotor Turntable.
I	SCREWS/Motor— Remove to separate motor from Bowl(19).	I	SIZING RING. Press Ring, evenly, in Bowl(19) counterbore. Top of Ring will be positioned flush with top of Bowl. Replace two SET SCREWS in Bowl. Turn Ring so screws are spaced between raised bosses. Ring is secured with light contact of screws on wall. Do not tighten screws.
J	LIP-SEAL— Remove from counterbore. Clean the counterbore.	J	GASKET/Sizing Ring
K	LIP-SEALS/Shaft (two). Remove from counterbore. Clean the counterbore thoroughly for acceptance of new Lip-Seals.	K	SCREWS/Chamber. Replace 6 screws to rejoin the chamber with the Bowl & Motor. Reassembly is then complete.
At this disassembly-point, clean, polish, and inspect shaft in seal area.			

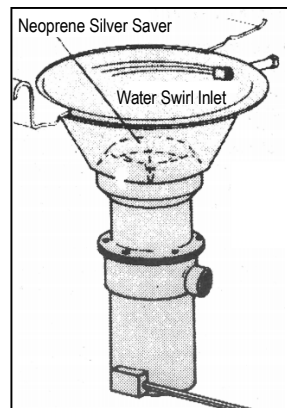
TWO SERIES "D" DISPOSER HEAD STYLES ARE SHOWN BELOW



Adapter fits 3-1/2" to 4" standard sink opening.

**MODEL SK
SINK ADAPTER HEAD**

Item No.	Part No.
20 HEAD-Casting	A-904
21 CUP-Stainless	27-H-15
22 GASKET-Fiber	07-H-20
23 GASKET-Vinyl	07-H-19
24 STOPPER	06-H-8



**MODEL BC
BOWL/CONE HEAD**

Item	Part No.
12" BOWL/CONE	H-403
18" BOWL/CONE	H-401
SWIRL INLET 1/2"	10-5-701
8-1/4" SILVER SAVER	H-391

Master Disposers

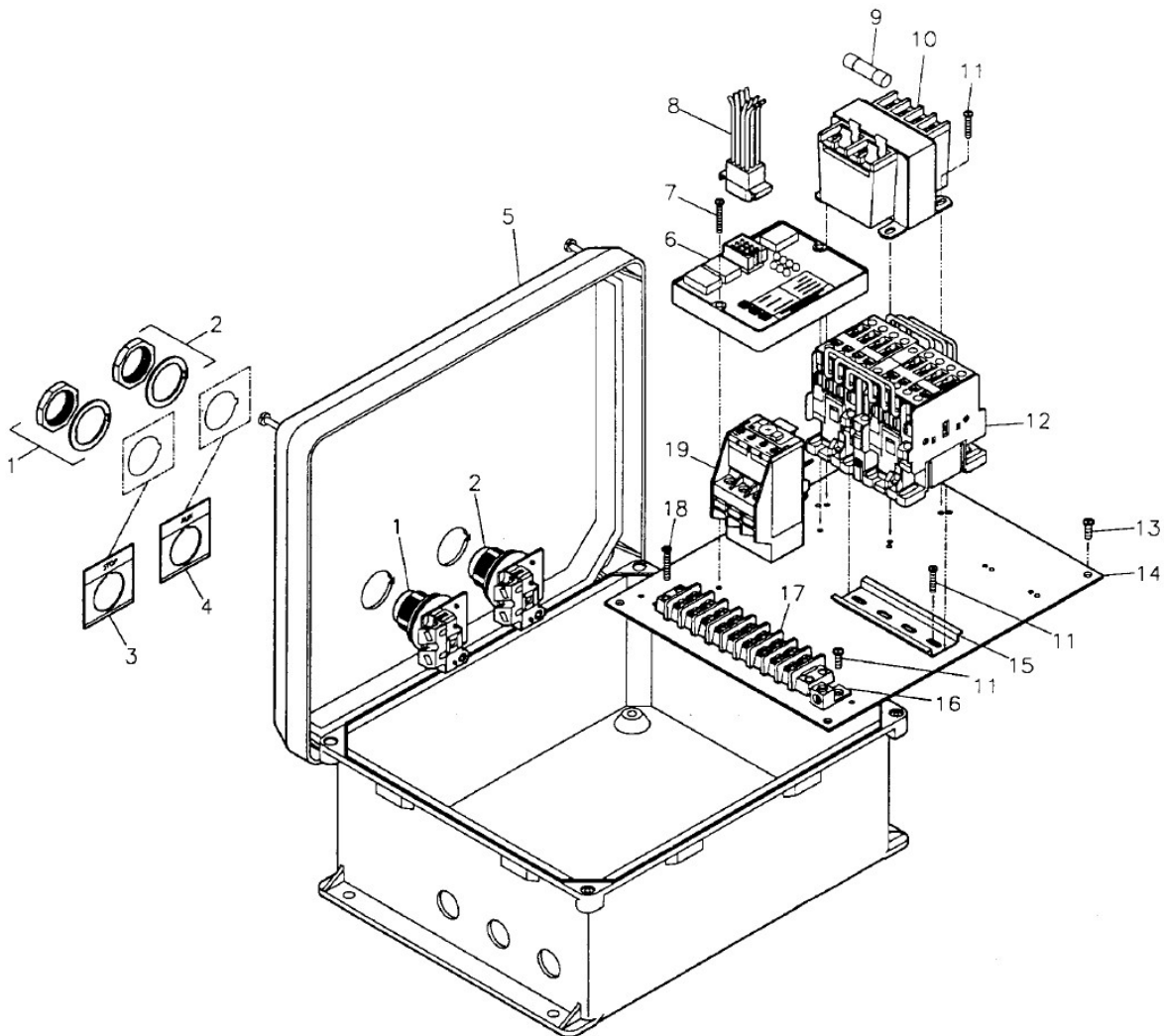
SOMAT COMPANY
165 Independence Court, Lancaster, PA 17601
717-397-5100 — FAX #717-299-4131
800-237-6628 ext. 173 — www.masterdisposers.com

TW Food Equipment Group

RAC1 REPLACEMENT PARTS LIST

KEY	PART NO.	NAME: DESCRIPTION	KEY	PART NO.	NAME: DESCRIPTION
1	03-5-988	Pushbutton Assy: Red (N.C.)	13	08-5-949	Screw, Php HD, 10-32 x 1/2
2	03-5-987	Pushbutton Assy: Black (N.O.)	14	03-5-983	Back Plate: RAC1 & 2
3	03-5-1023	Legend Plate: "STOP"	15	03-5-1067	Track: Contactor Mounting
4	03-5-1025	Legend Plate: "RUN"	16	03-5-1097	Grounding Lug
5	03-5-1042	Enclosure: Non-Metallic, RAC1 & 2	17	03-5-1002	Terminal Strip: 9 Position
6	03-5-1034	Control Module		03-5-1001	Terminal Strip: 6 Position
7	08-6-258	Screw: Php HD, 8-32 x 1		03-5-1085	Terminal Strip: 13 Position
8	03-5-1000	Wiring Harness: RAC1	18	08-6-251	Screw, Php HD, 8-32 x 3/4
9	03-HAB-940	Fuse: 2.5 Amp	19	03-5-1124	Overload Relay: 3-12 Amp (Use with 1.5L, 1.5H & 5H)
10	03-HAB-995	Transformer: 24V/115, 230V 50VA		03-5-1125	Overload Relay: 11-16 Amp (Use with 2.5H, 5L, 7H & 10H)
	03-HAB-911	Transformer: 24V/208, 230, 460V 50VA		03-5-1126	Overload Relay: 18-25 Amp (Use with 2.5L & 7L)
	03-HAB-912	Transformer: 24V/380V 50VA		03-5-1127	Overload Relay: 22-32 Amp (Use with 10L)
11	08-6-250	Screw: Php HD, 8-32 x 1/2			
12	03-HAB-906	Contactor: Rev, 10A, 24V, 50/60HZ (Use w/ 0H, 1.5L, 1.5H, 2L, 2H & 5H)			
	03-BC-907	Contactor: Rev, 17.5A, 24V, 50/60HZ (Use w/ 0L, 1H, 2.5H, 5L, 7H & 10H)			
	03-C-909	Contactor: Rev, 32A, 24V, 50/60HZ (Use w/ 1L, 2.5L, 7L & 10L)			

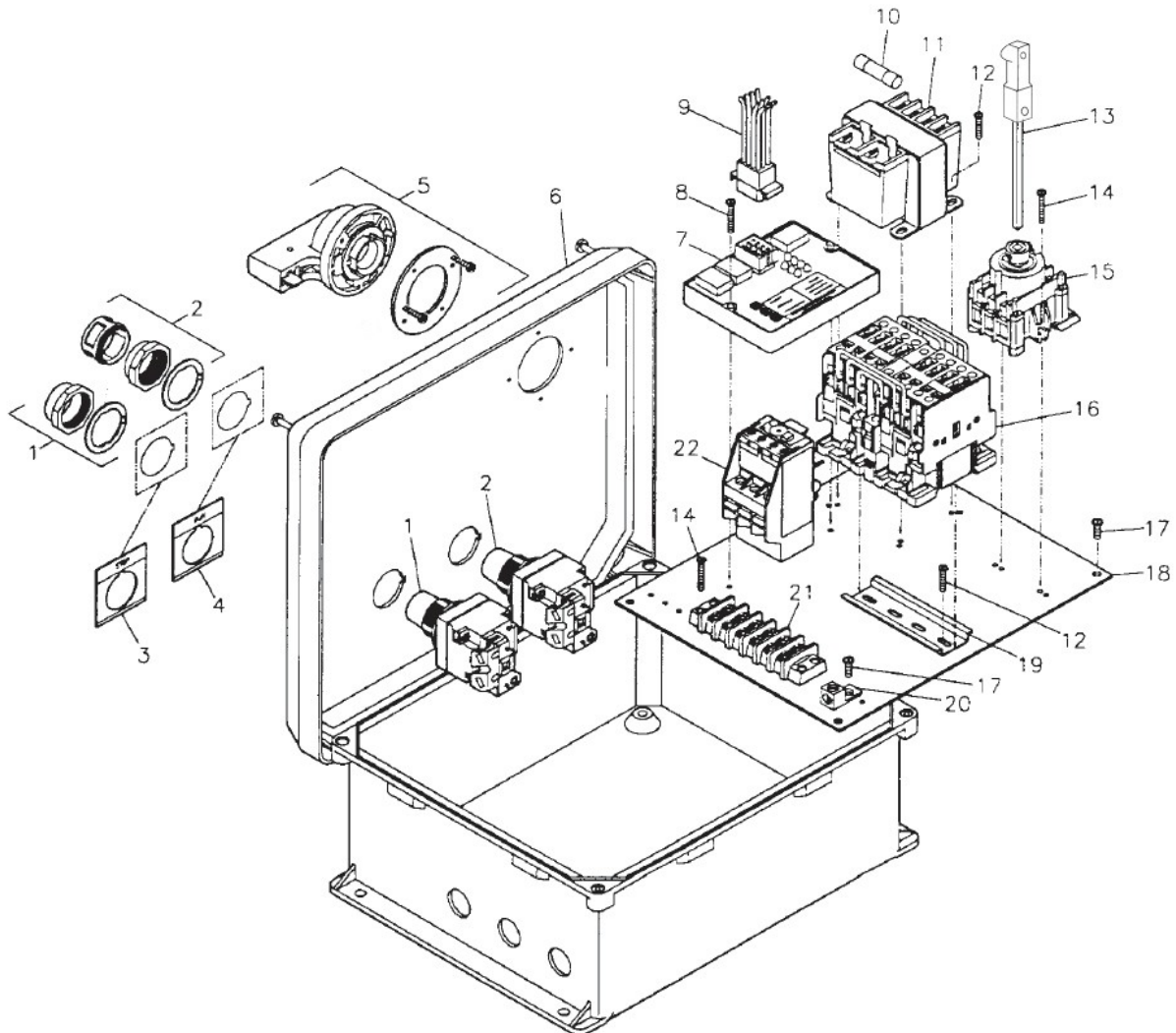
SPECIFY HP, VOLTAGE, PHASE, MODEL AND SERIAL NUMBER WHEN ORDERING CONTACTORS AND OVERLOAD RELAYS.



RAC2 REPLACEMENT PARTS LIST

KEY	PART NO.	NAME: DESCRIPTION	KEY	PART NO.	NAME: DESCRIPTION
1	03-5-1036	Pushbutton Assy: Lighted, Red	17	08-5-949	Screw, Php HD, 10-32 x 1/2
2	03-5-1037	Pushbutton Assy: Lighted, Amber	18	03-5-983	Back Plate: RAC1 & 2
3	03-5-1023	Legend Plate: "STOP"	19	03-5-1067	Track: Contactor Mounting
4	03-5-1025	Legend Plate: "RUN"	20	03-5-1097	Grounding Lug
5	03-5-1049	Handle: Disconnect Switch (w/Shaft)	21	03-5-1002	Terminal Strip: 9 Position
6	03-5-1042	Enclosure: Non Metallic, RAC1 & 2		03-5-1001	Terminal Strip: 6 Position
7	03-5-1034	Control Module		03-5-1085	Terminal Strip: 13 Position
8	08-6-258	Screw: Php HD, 8-32 x 1	22	03-5-1124	Overload Relay: 3-12 Amp (Use with 1.5L, 1.5H & 5H)
9	03-5-999	Wiring Harness: RAC2		03-5-1125	Overload Relay: 11-16 Amp (Use with 2.5H, 5L, 7H & 10H)
10	03-HAB-940	Fuse: 2.5 Amp		03-5-1126	Overload Relay: 18-25 Amp (Use with 2.5L & 7L)
11	03-HAB-995	Transformer: 24V/115, 230V 50VA		03-5-1127	Overload Relay: 22-32 Amp (Use with 10L)
	03-HAB-911	Transformer: 24V/208, 230, 460V 50VA			
	03-HAB-912	Transformer: 24V/380V 50VA			
12	08-6-250	Screw: Php HD, 8-32 x 1/2			
13	03-5-1120	Shaft: Disconnect Switch, RAC2			
14	08-6-251	Screw, Php HD, 8-32 x 3/4			
15	03-5-1041	Disconnect Switch: 40 Amp, RAC2			
16	03-HAB-906	Contactor: Rev, 10A, 24V, 50/60HZ (Use w/ 0H, 1.5L, 1.5H, 2L, 2H & 5H)			
	03-BC-907	Contactor: Rev, 17.5A, 24V, 50/60HZ (Use w/ 0L, 1H, 2.5H, 5L, 7H & 10H)			
	03-C-909	Contactor: Rev, 32A, 24V, 50/60HZ (Use w/ 1L, 2.5L, 7L & 10L)			

SPECIFY HP, VOLTAGE, PHASE, MODEL AND SERIAL NUMBER WHEN ORDERING CONTACTORS AND OVERLOAD RELAYS



TERMS OF SALE

1. NATURE OF DOCUMENT. This document constitutes the acceptance of the Master Disposers Division of Somat Company ("Seller") to sell the products specified on the reverse side (the "Products") on the terms and conditions contained herein, however, acceptance is made expressly conditional on the Buyer's agreement to all of the terms and conditions contained herein. Seller's acceptance of a purchase order from the Buyer shall not constitute acceptance of any of the terms and conditions thereon which differ from these terms, except as the Seller may otherwise specify in writing.

2. TERMINATION AND CANCELLATION. Seller shall have the right to terminate and cancel the contract for sale of the Products at any time Seller determines that Buyer's credit is not satisfactory. Any such termination or cancellation shall be effective upon notification (orally or in writing) to Buyer and shall be without liability to the Seller. Under no circumstances shall Buyer have the right to terminate the contract or cancel its order to purchase the Products, without written authorization by the Seller. All cancelled orders and returned goods will be subject to a minimum of 25% cancellation and/or restocking charge. Custom or modified units cannot be returned.

3. PRICES. Unless otherwise indicated, prices are F.O.B. Lancaster, PA and do not include any sales, use, excise or similar taxes or duties now or hereafter imposed. Errors or omissions in prices are subject to correction.

4. PAYMENT. Unless otherwise indicated, payment terms are net cash 30 days from date of shipment. In the event that the Buyer fails to make payment on time, Buyer shall be liable to Seller for the lesser of (a) 1.5% per month on the remaining balance or (b) the highest monthly interest rate which may lawfully be charged to Buyer. Buyer shall be liable for all expenses (including reasonable attorneys' fees) incurred by Seller in collecting or attempting to collect any amounts due to Seller under the contract.

5. TITLE; RISK OF LOSS. Title to, and risk of loss of, the Products shall pass to Buyer upon the delivery of the Products F.O.B. Lancaster, PA to an agent of Buyer or to a common carrier.

6. INSPECTION. If, upon receipt of the Products by Buyer at the destination, the same shall appear not to conform to the order, Buyer shall within seven (7) days after receipt thereof, notify Seller of such condition and afford Seller a reasonable opportunity to inspect the Products and make the appropriate adjustments, repair or replacement. The remedies afforded under Section 7 below shall be exclusive for any defects discovered in the Products and which could have been discovered upon inspection. If the Seller is not so notified, the Buyer waives any recourse for those defects, and all warranty obligations of Seller regarding such obvious defects or deficiencies shall terminate.

7. LIMITED WARRANTIES AND REMEDIES. Seller warrants that, at the time of shipment, the Products will be free from defects in material and workmanship for a period of one year from the date of purchase by the initial user. Written notice of a claim under this warranty must be received by Seller before the expiration of such period in order for warranty coverage to apply.

If notice of a claim is timely made, Seller will repair or replace the Product or part which is defective (at Seller's sole option) either at the user's facility or at Seller's plant, as Seller shall decide. If Seller decides that a Product or part should be returned to its plant, the Buyer or user shall have the following obligations:

- removal of any parts to be returned;
- identification of all parts with tags stating the model number and serial number of the Products on which the part is used;
- shipment of Products and/or parts, transportation prepaid, to Seller's plant;
- installation of the repaired or replaced Product or parts at user's facility.

This Warranty shall not apply to the extent that Products or parts have been used other than in conformance with operating or maintenance instructions, subjected to misuse or abuse, damaged by accident, act of God, abnormal use or stress or any other matter unrelated to Seller and beyond its reasonable control or altered or modified by third parties.

THIS WARRANTY IS EXCLUSIVE AND IS IN LIEU OF ALL OTHER WARRANTIES, EXPRESS OR IMPLIED, INCLUDING THE IMPLIED WARRANTIES OF MERCHANTABILITY AND FITNESS FOR PURPOSE. IN NO EVENT SHALL THE COMPANY BE LIABLE FOR LOSS OF USE, REVENUE OR PROFIT OR FOR ANY OTHER INCIDENTAL, SPECIAL OR CONSEQUENTIAL DAMAGE INVOLVING THE PRODUCTS.

8. LIMITATION OF LIABILITY. The liability of Seller arising out of the manufacture, sale, delivery, repair, or use of any of the Products shall not, in any event, exceed the cost of correcting defects or making replacement as required in the Limited Warranty and, upon the expiration of the Limited Warranty, all liability of Seller to Buyer shall terminate.

9. DELAYS. Neither party shall be liable for any delay or failure to perform any obligation to the other if such delay or failure shall be caused by an event or contingency beyond its reasonable control, irrespective of the nature thereof, however, the delaying party shall endeavor to correct such delay as soon as reasonably practicable.

10. MODIFICATION; ASSIGNMENT; APPLICABLE LAW; ENTIRE AGREEMENT. No modification of the terms and conditions specified in the contract shall be binding upon Seller unless agreed to by Seller in writing. The contract shall not be assigned by Buyer, nor may any of the duties of Buyer there under be delegated, without the written consent of Seller. Any such assignment or delegation without such consent shall be void. The contract shall be governed by, and construed in accordance with, the laws of the State of Pennsylvania. The provisions of the contract shall constitute the entire agreement of the parties with respect to the sale of the Products by Seller to Buyer and shall supersede all prior discussion and writings between the parties.

11. BINDING EFFECT OF CONTRACT. The contract shall be binding upon, and shall inure to the benefit of, the parties hereto and their respective successors and assigns.

12. RETURNS. No returns will be accepted without the prior approval of the Seller. A Return Authorization Number must be given by Seller prior to Products being shipped, freight prepaid, by Buyer. Any damage in transit to Products being returned is Buyer's responsibility.

All accepted returns are subject to a 25% or \$25.00 minimum restocking charge. Returns that have been approved by Seller must be received within thirty (30) days after approval. Returns will not be considered after ninety (90) days from date of original notice.

13. INDEMNITY. Buyer agrees to indemnify, hold harmless and defend Seller from and against any and all liabilities and expenses arising out of any injury or damage which results from Buyer's use, misuse, misapplication, failure to inspect, maintain or repair the Products which are the subject of this agreement.

14. MINIMUM ORDER. \$75.00 net.

WARRANTY

THE EXCLUSIVE ONE AND TEN YEAR WARRANTY

All products (and parts) manufactured and sold by MASTER DISPOSERS (the "Manufacturer") are warranted to be free from defects in material and workmanship for a period of one year following the date of its initial installation or eighteen months from the date of shipment from the factory or factory warehouse, whichever expires first. Notice of a claim under this Warranty must be received by the Manufacturer at its offices before the expiration of such period in order for Warranty coverage of **PARTS AND LABOR** to apply.

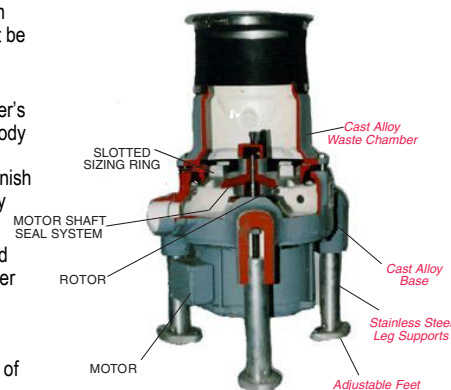
If notice of a claim is timely made, the Manufacturer will repair or replace the product or part which is defective either at the user's facility or at the Manufacturer's plant, as the Manufacturer shall decide. In addition, the Manufacturer warrants that the basic body components of every Master Disposer will remain serviceable for a period of at least **TEN YEARS**. Should any of these basic body components require replacement during the first ten years of normal usage following installation the Manufacturer will furnish new duplicate parts to the original user at no charge. Manufacturer cannot warrant products returned to the factory not properly packaged, causing additional damage.

This Warranty shall not apply to the extent that products or parts have been used other than in conformance with operating and maintenance instructions, subjected to misuse or abuse or damage by accident, act of God, abnormal use or stress or any other matter unrelated to the Manufacturer, and beyond its reasonable control or otherwise altered or modified by third parties. In addition, this Warranty does not cover normal wear items, such as sizing rings, impact bars and rotors. **THIS WARRANTY IS EXCLUSIVE AND IS IN LIEU OF ALL OTHER WARRANTIES, EXPRESSED AND IMPLIED, INCLUDING THE IMPLIED WARRANTIES OF MERCHANTABILITY AND FITNESS FOR PURPOSE.** In no event shall the Manufacturer be liable for loss of use, revenue or profit or for indirect or consequential damages.

All Master machines are packed in heavy corrugated shipping containers suitable for reshipment.

Master Disposers is not responsible for any typographical errors.

Due to continued product improvement specifications are subject to change without notice.



STANDARD ONE YEAR WARRANTY	TEN YEAR WARRANTY
ALL MASTER disposer components, shown above in BLOCK print, are guaranteed against all defects for the initial ONE YEAR period of use, as stated in the Warranty.	ALL MASTER basic body components, shown above in <i>italicized</i> print, are guaranteed to remain serviceable at least TEN YEARS as stated in the Warranty.