



MC SERIES MAGNETIC STARTER (NON-REVERSING)



For all Master Disposers series.

APPLICATION:

- Provides magnetic contactor control of motor for longer switch life.

DESIGN AND CONSTRUCTION:

- High strength compression molded NEMA4X (watertight, corrosion resistant) enclosure. Magnetic contactor with built-in automatic reset overload relay to protect against low voltage, overloads and phase failure. Clearly marked terminal strip for easy connection of incoming power, solenoid valve.

WARRANTY:

- One full year from date of purchase by end user, covering defects in material or workmanship; parts and labor included.

MC SERIES MAGNETIC STARTER (NON-REVERSING)			
Model No.	HP Range	Voltage	PH
MC-1L	½ to 2	115	1
MC-1H	½ to 2	230	1
MC-5L	½ to 10	230	3
MC-5H	½ to 10	460	3



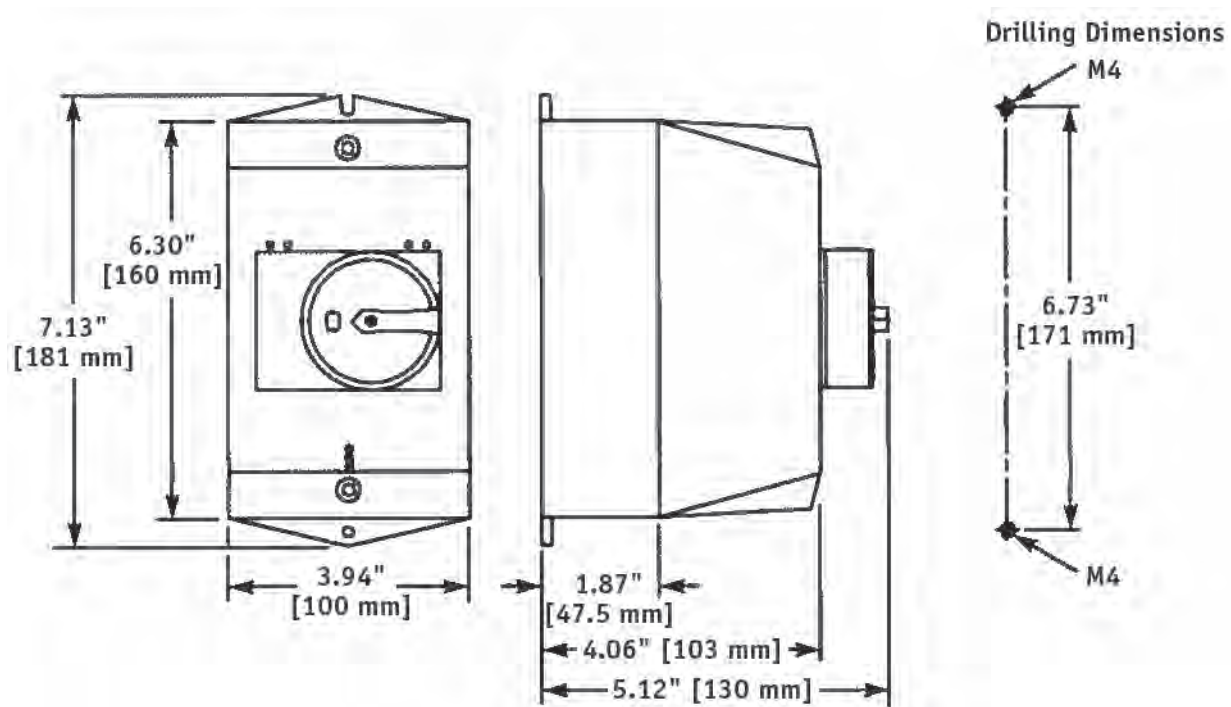
Underwriters Laboratories Inc.
LISTED



Canadian Standards Association
LISTED

MC SERIES

MAGNETIC STARTER (NON-REVERSING)



In line with its policy to continually improve its products, Master Disposers reserves the right to change materials and specifications without notice.