



# MODEL C DISPOSER



**"C" Series Regular Design 8 1/4" Throat Size (Shown)**  
**Also available with:**  
**Offset Throat Design**

"C" SERIES - BASIC DISPOSER				
Type	Model No.	HP	PH	Throat Size
REGULAR	C12S-L	1 1/2	1	8 1/4"
	C12-L	1 1/2	3	8 1/4"
	C2S-L	2	1	8 1/4"
	C2-L	2	3	8 1/4"
	C3-L	3	3	8 1/4"
	C5-L	5	3	8 1/4"
OFFSET	C12S-0	1 1/2	1	8 1/4"
	C12-0	1 1/2	3	8 1/4"
	C2S-0	2	1	8 1/4"
	C2-0	2	3	8 1/4"
	C3-0	3	3	8 1/4"
	C5-0	5	3	7"

**APPLICATION:**

Medium size restaurant kitchen. Ideal for vegetable preparation, salad and pot sink areas of large kitchens.

**DESIGN AND CONSTRUCTION:**

- Waste chamber design permits dual directional operation when used with reversing control or switch, doubling the life cycle of the shattering mechanism. Regular waste chamber available with 8 1/4" throat size.
- Basic body components are cast gray iron, machined, primed and powder coated. 8" diameter rotor with (2) bolt-on reversible impact bars and sizing ring are cast ductile iron, machined, balanced and heat treated.
- Bolt on threaded discharge flange for easy removal (2" pipe size).
- Stainless steel legs and feet, adjustable from 0" to 2".
- Disposer connects to Cone or Sink Assembly by means of a neoprene isolation sleeve and (2) stainless steel clamps.
- Offset Design: For maximum space utilization.

**MOTOR:**

- Reversing, heavy-duty, 1725 RPM (1425 RPM, 50 Hz), full rated horsepower, double sealed, permanently lubricated ball bearings.
- Thermal overload protection with manual reset button.
- Available for single phase or three phase installations.
- Available in 1 1/2 HP for light waste, 2 HP for standard use, 3 & 5 HP for heavy duty use.
- Dual voltage windings allow multi-voltage operation by motor lead connection (see motor wiring diagram). 115-230V, 60 Hz; 110/220V, 50 Hz, 1 Ph; 208-230/460V, 60 Hz; 208/415V, 50 Hz, 3 Ph.

**CONTROLS:**

**NOTE:** Electrical switches or control centers not included, must be selected as required.

**PLUMBING:**

- 8 GPM @ 20 PSIG, 1/2" NPT
- 2" drain line with trap
- Not grease trap compliant

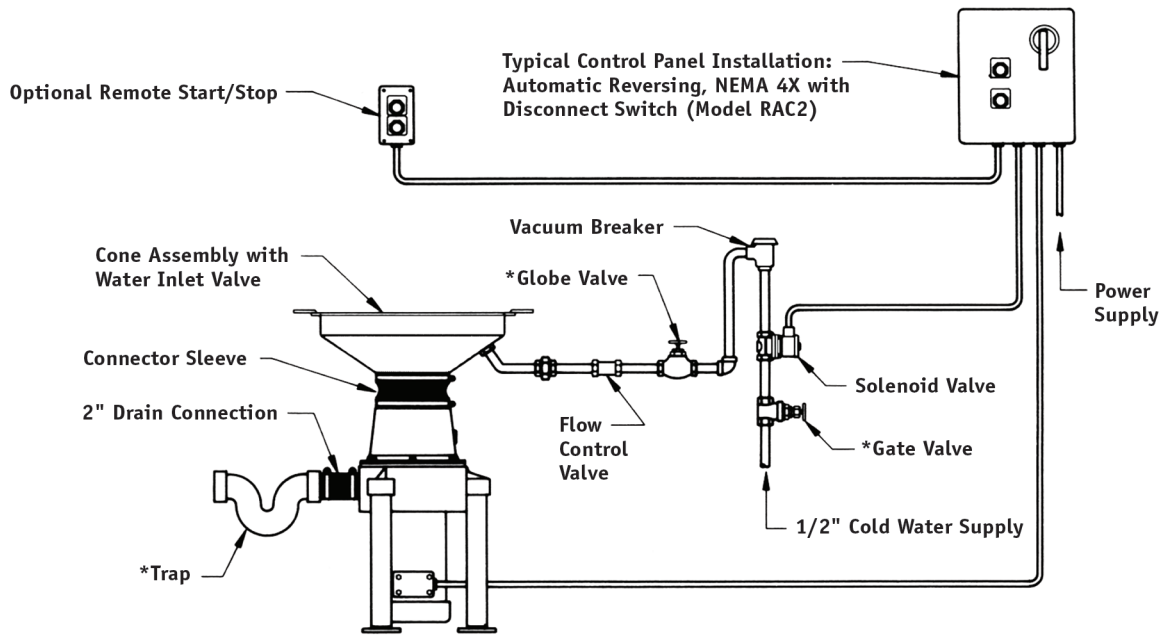
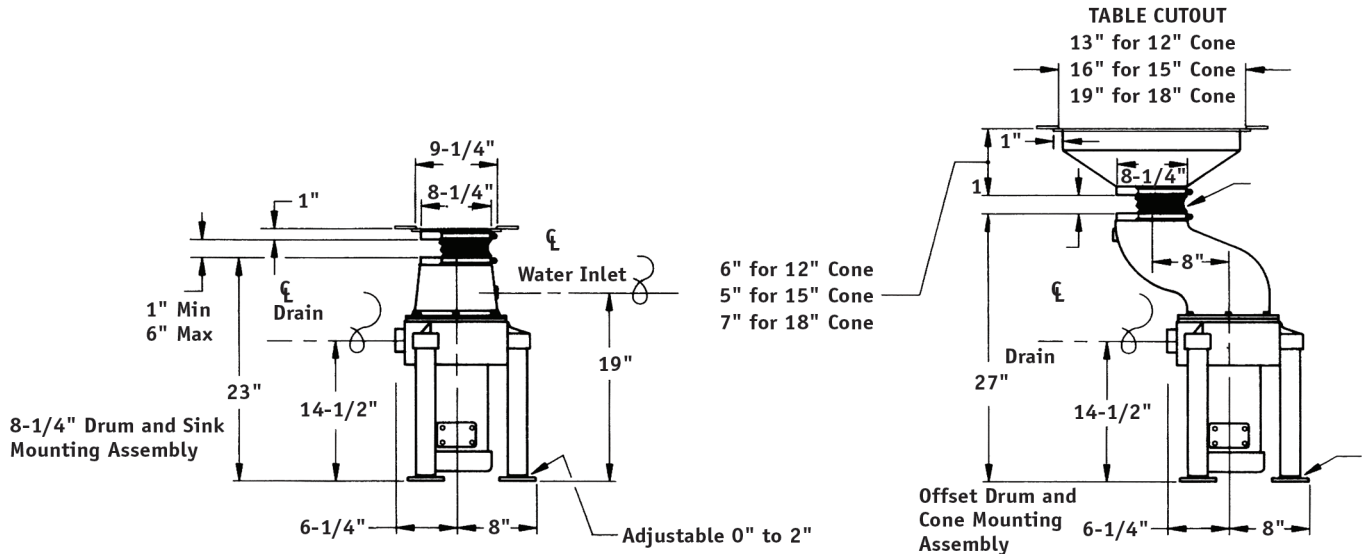
**ELECTRICAL:**

- Please refer to electrical requirements on page 2.

**OPTIONAL FEATURES:**

- Adaptor Kits: Adaptor kits are available to allow installation of Master Disposers to virtually any sink or cone size or configuration. Refer to "Adaptor Kit Selection Guide" for specific kit model numbers.

# MODEL C DISPOSER



HP	THREE PHASE		THREE PHASE		SINGLE PHASE		SINGLE PHASE	
	Volts/60 Hz	Amps	Volts/50 Hz	Amps	Volts/60 Hz	Amps	Volts/50 Hz	Amps
1/2	208	4.4	208	4.8	115	16	110	15
	230	4.2			230	8	220	7.5
	460	2.1	415	2.4				
2	208	6	208	6.3	115	17.6	110	19
	230	5.8			230	8.8	220	9.5
	460	2.9	415	3.3				
3	208	9.9	208	10.4	N/A	N/A	N/A	N/A
	230	9						
	460	4.5	415	5.2				
5	208	14.8	N/A	N/A	N/A	N/A	N/A	N/A
	230	14						
	460	7						

In line with its policy to continually improve its products, Master Disposers reserves the right to change materials and specifications without notice.